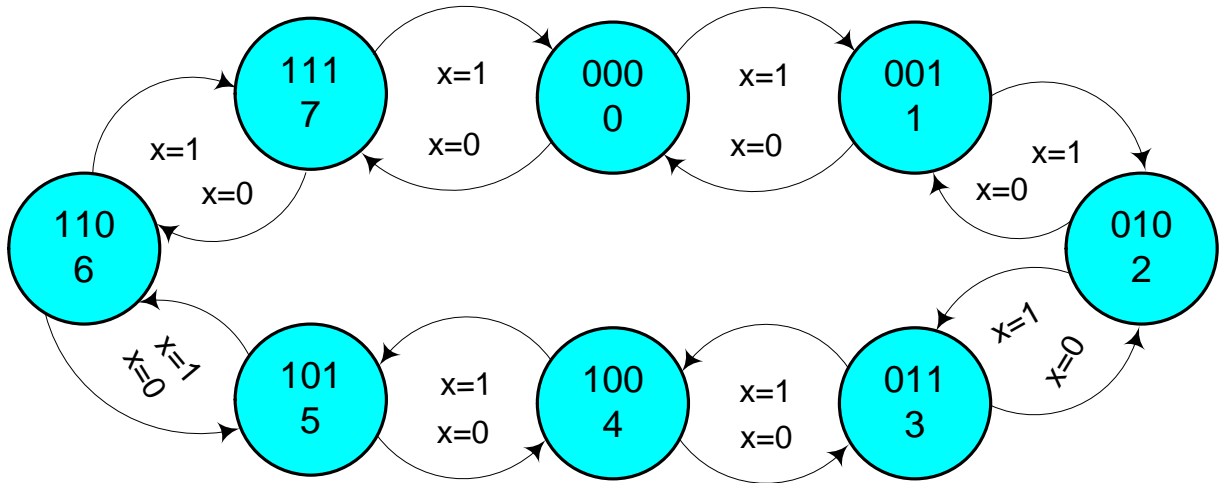


Example #2

Design a 3-bit Up-Down Counter. The counter counts up when input $x=1$ and counts down when input $x=0$. Design your circuit with D-Flip Flops and then use T Flip Flops. Compare your results.

Starting with the state diagram



From the state diagram we deduce the state table directly without state assignment

Present State			Next State					
			x=1			x=0		
y_2	y_1	y_0	y_2^+	y_1^+	y_0^+	y_2^+	y_1^+	y_0^+
0	0	0	0	0	1	1	1	1
0	0	1	0	1	0	0	0	0
0	1	0	0	1	1	0	0	1
0	1	1	1	0	0	0	1	0
1	0	0	1	0	1	0	1	1
1	0	1	1	1	0	1	0	0
1	1	0	1	1	1	1	0	1
1	1	1	0	0	0	1	1	0

Next we determine the Next state table and since $Y+ = D$ input then the excitation tables can be easily written from the transition table.

Y2

		$y_2 y_1$		y_2		
		00	01			
$y_0 x$	00	1		1		x
	01			1	1	
y_0	11		1		1	x
	10			1	1	
				y_1		

$$y_2^+ = \bar{y}_2 \bar{y}_1 \bar{y}_0 \bar{x} + y_2 y_1 \bar{y}_0 + y_2 \bar{y}_1 x + \bar{y}_2 y_1 y_0 x + y_2 y_0 \bar{x}$$

Y1

		$y_2 y_1$		y_2		
		00	01			
$y_0 x$	00	1			1	x
	01		1	1		
y_0	11	1			1	x
	10		1	1		
				y_1		

$$y_1^+ = \bar{y}_1 \bar{y}_0 \bar{x} + y_1 \bar{y}_0 x + \bar{y}_1 y_0 x + y_1 y_0 \bar{x}$$

Y0

		$y_2 y_1$		y_2		
		00	01			
$y_0 x$	00	1	1	1	1	x
	01	1	1	1	1	
y_0	11					x
	10					
				y_1		

$$y_0^+ = \bar{y}_0$$

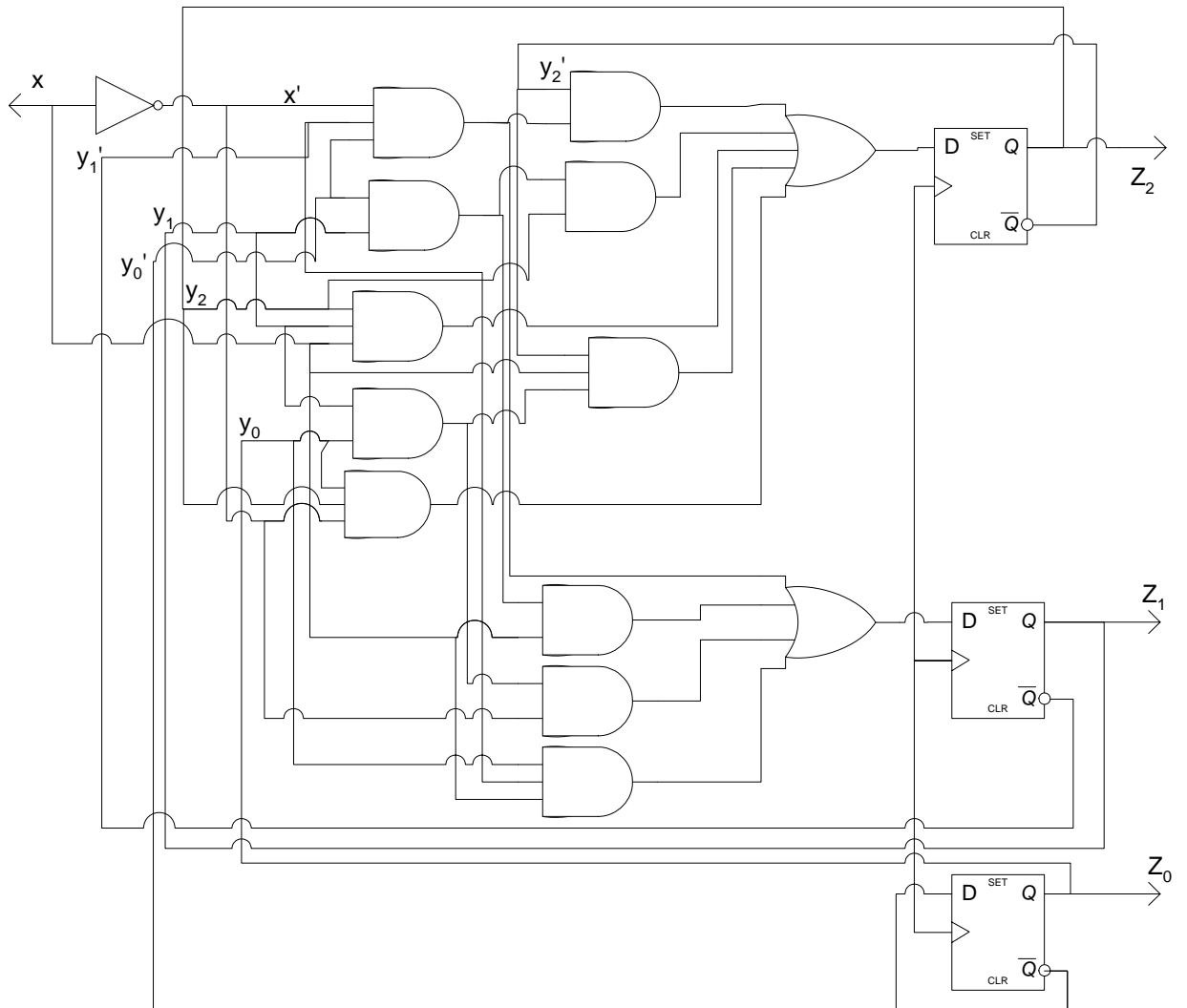
using D-FFs then the excitation vectors are:

$$D_2 = y_2^+ = \bar{y}_2 \bar{y}_1 \bar{y}_0 \bar{x} + y_2 y_1 \bar{y}_0 + y_2 \bar{y}_1 x + \bar{y}_2 y_1 y_0 x + y_2 y_0 \bar{x}$$

$$D_1 = y_1^+ = \bar{y}_1 \bar{y}_0 \bar{x} + y_1 \bar{y}_0 x + \bar{y}_1 y_0 x + y_1 y_0 \bar{x}$$

$$D_0 = y_0^+ = \bar{y}_0$$

Circuit Diagram with D-Flip Flop



For the T-Flip Flop we do the next state K-Map

Y2 Transitions

		$y_2 y_1$		y_2		
		00	01	11	10	
$y_0 x$	00	1			1	X
	01					
y_0	11		1	1		X
	10					
		y_1				

		$y_2 y_1$		y_2		
		00	01	11	10	
$y_0 x$	00	1	1	1	1	X
	01					
y_0	11	1	1	1	1	X
	10					

$$T_2 = y_1 y_0 x + y_0' y_1 'x'$$

$$T_1 = x' y_0' + x y_0$$

$$T_0 = 1$$

		$y_2 y_1$		y_2		
		00	01	11	10	
$y_0 x$	00	1	1	1	1	X
	01	1	1	1	1	
y_0	11	1	1	1	1	X
	10	1	1	1	1	
		y_1				

Then draw the map accordingly. Assuming that the D-Flip Flop and T-Flip Flop being of equal price and quality, then the T-Flip Flop implementation is more economical