

Lecture #5

In this lecture we will introduce the sequential circuits.

We will overview various Latches and Flip Flops (30 min)

Give Sequential Circuits design concept

Go over several examples as time permits

Control Circuitry

Binary information is either data or control.

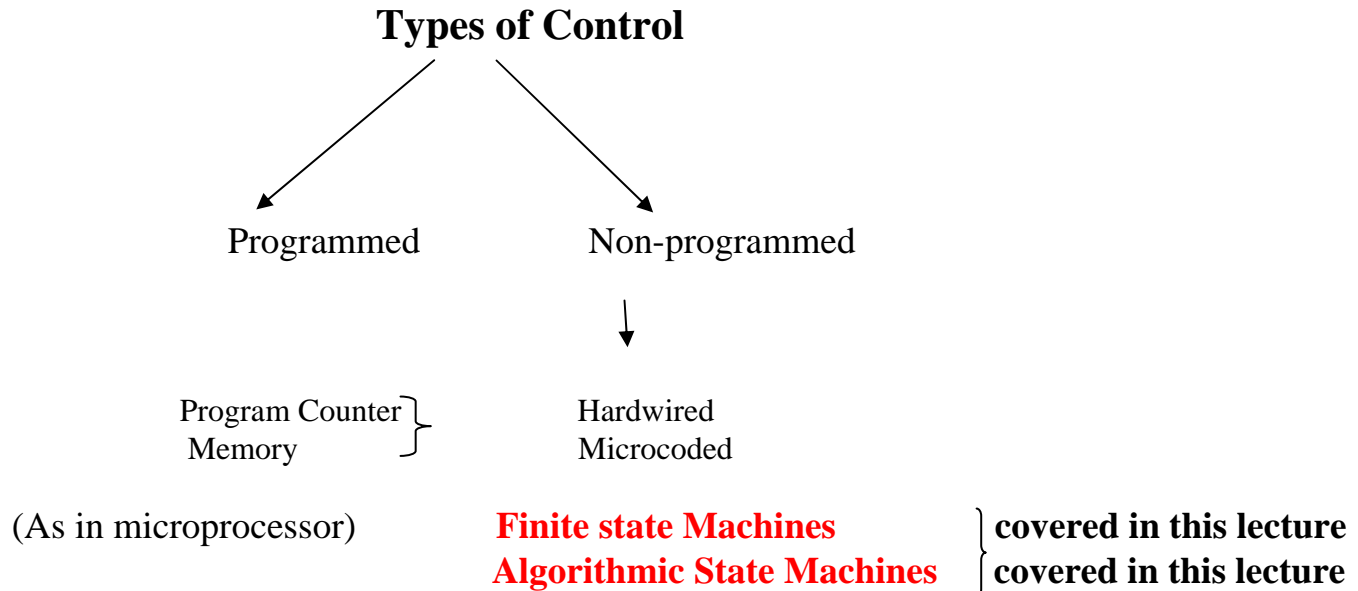
Data paths are responsible for processing the data,

Control signals are responsible for generation and sequencing of events.

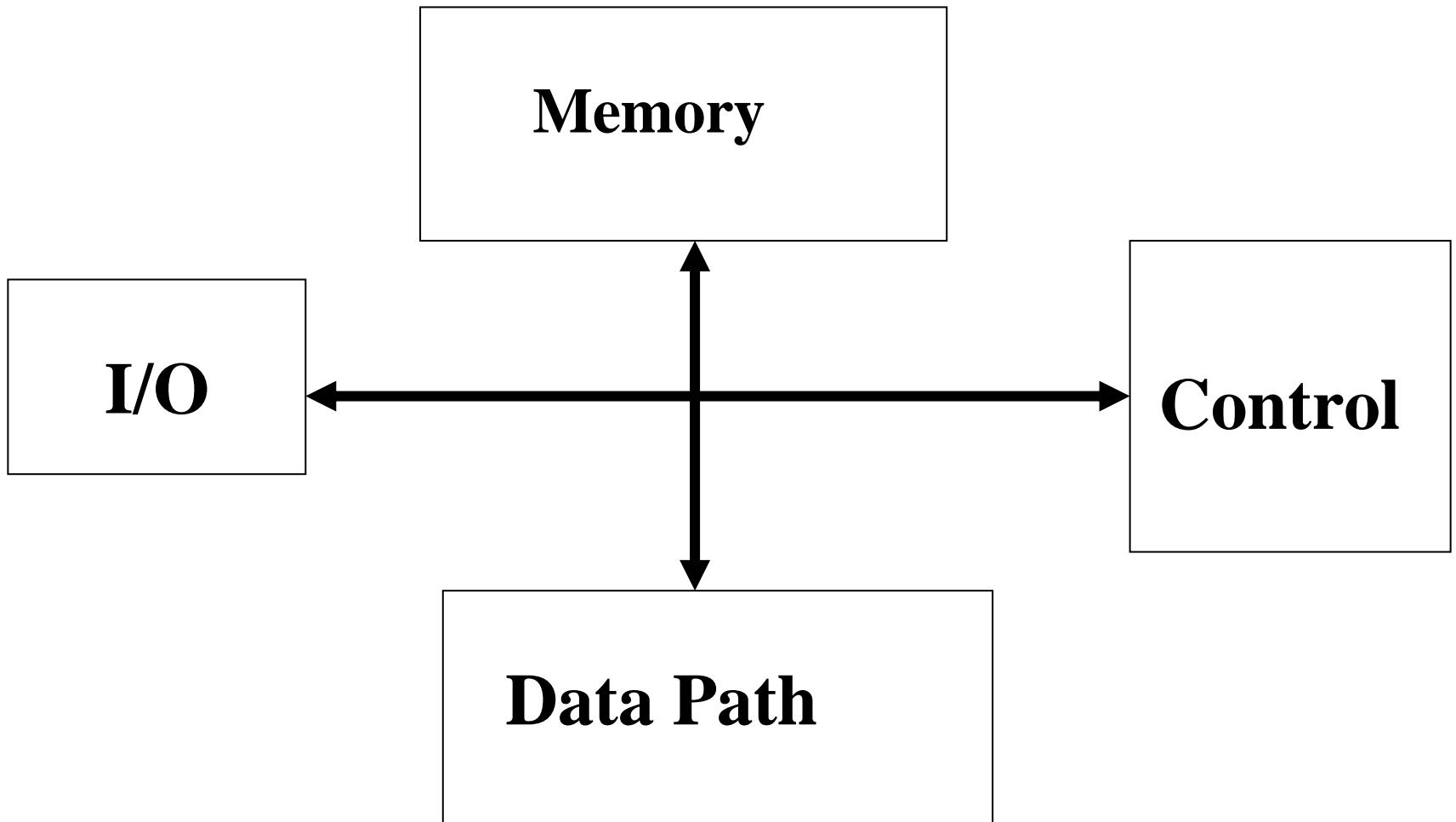
Signals like “load” are used for example when and where to place a data item

in a register or “select” signal on a MUX to select an item or “Enable” signal to put data on a bus

The term sequential circuit is referred to circuits that sequence such events.

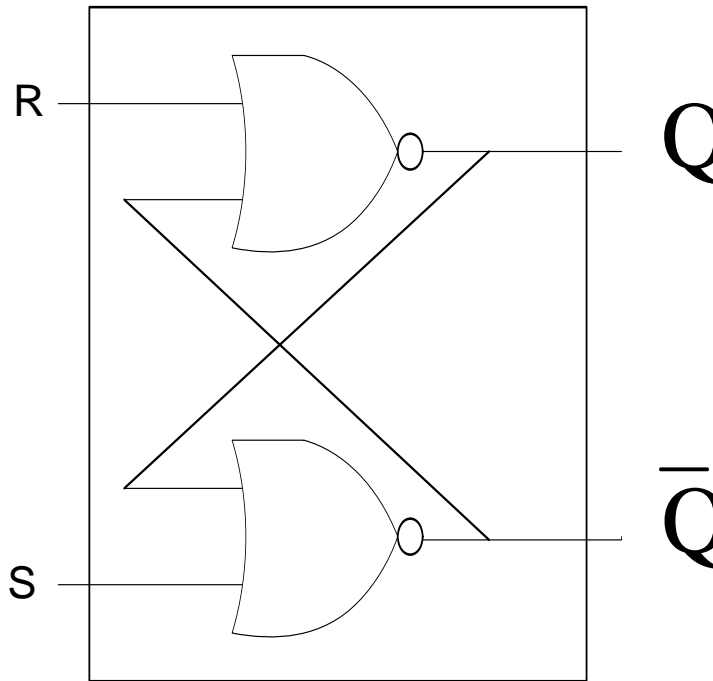


Digital Design: Parameters to be considered



RS Latch

$$Q_+ = S + R' Q$$

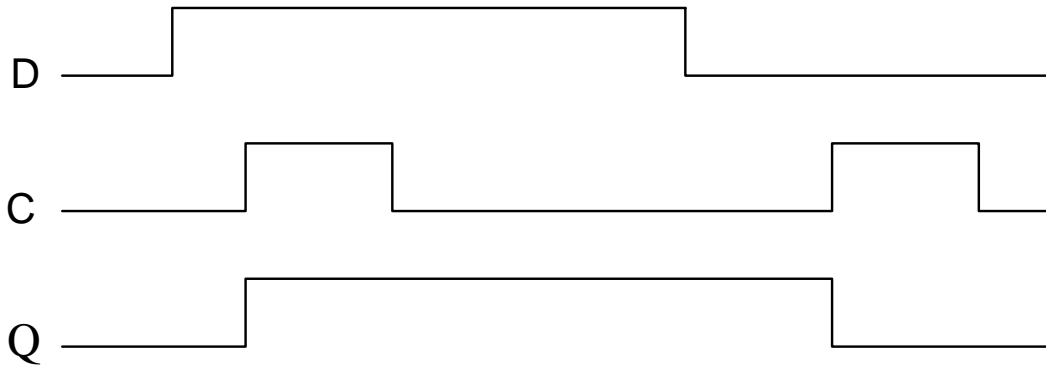
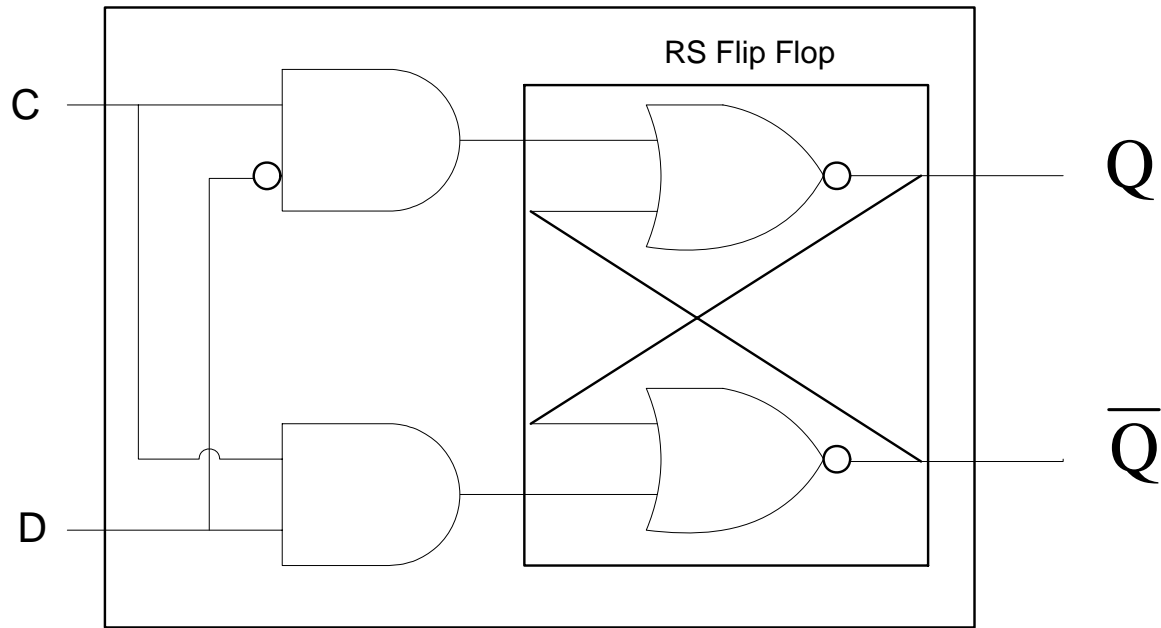


R	S	Q_{t+1}
0	0	\bar{q}_t
0	1	1
1	0	0
1	1	—

Two Problems:

R=S= 1 Not allowed, Data is transparent

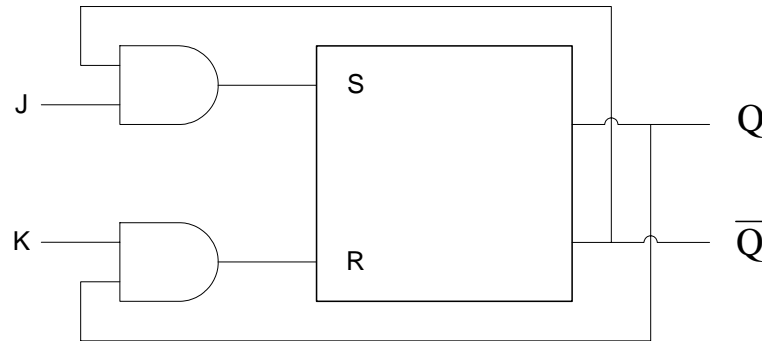
The D Latch



Problem: Level sensitive

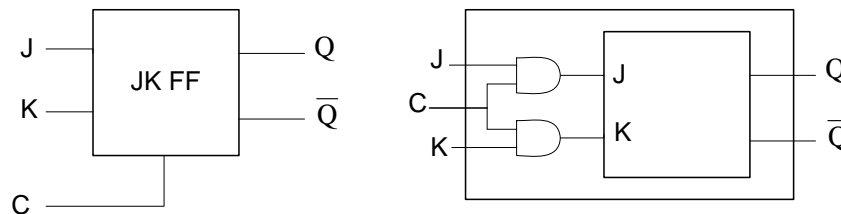
JK Latch : Universal, Level sensitive, Timing Constraints due to feed back. Other latches can be constructed using JK Latch

JK Flip Flop:



$$Q_{t+1} = J\bar{Q}_t + \bar{K}Q_t$$

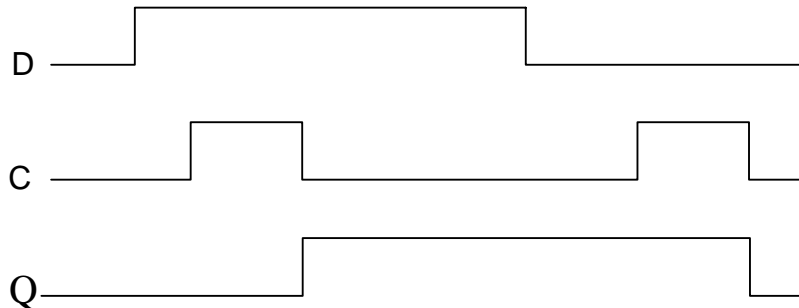
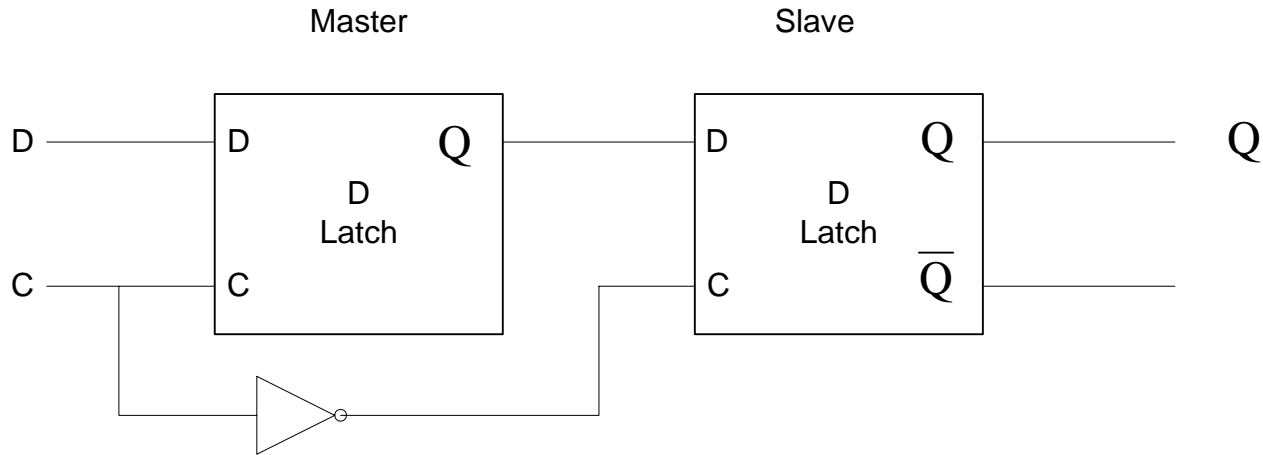
JK Flip Flop with a rising-edge :



Master Slave Flip Flop Edge sensitive, Set up and Hold time

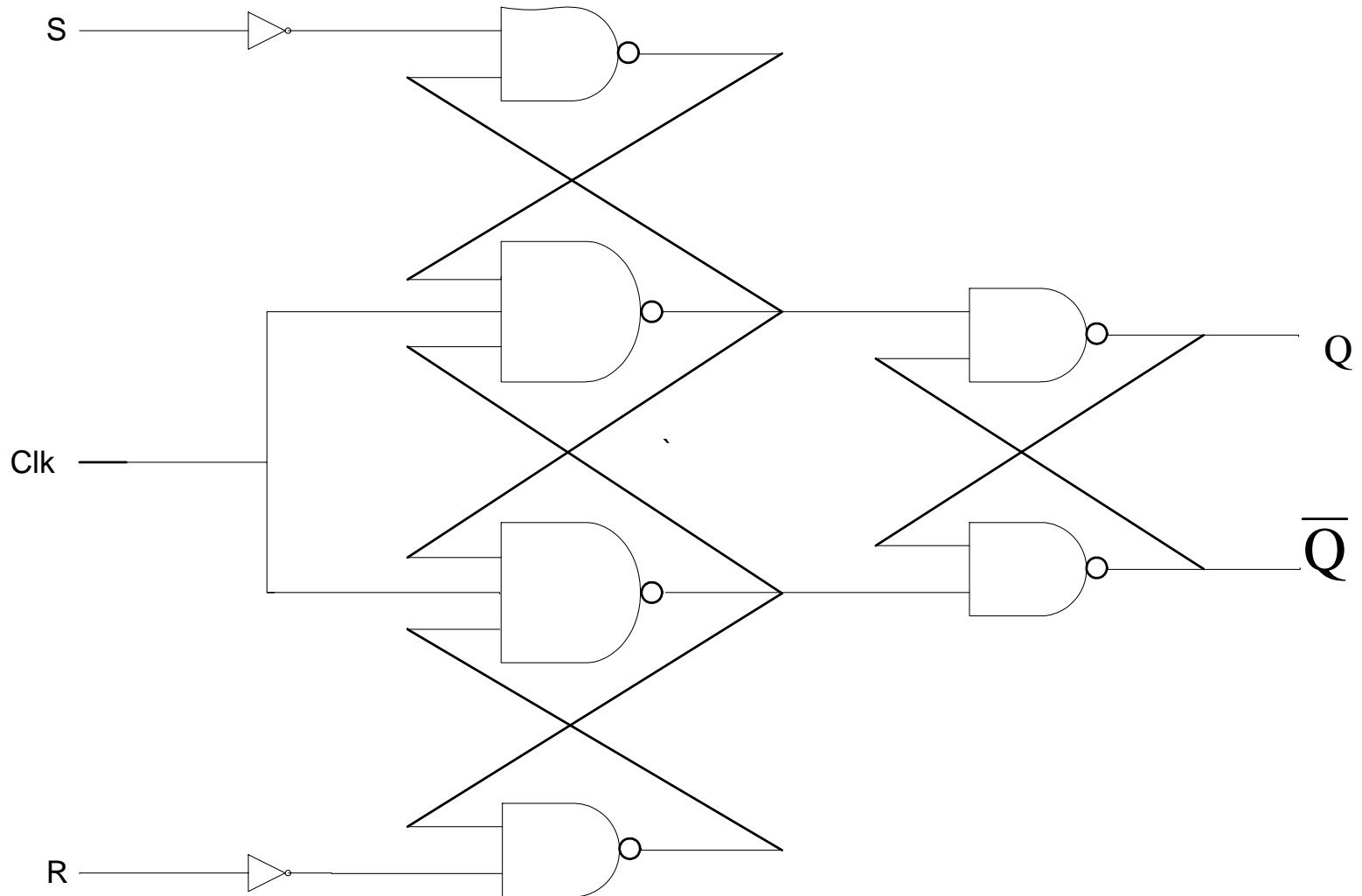
Master and Slave Flip Flop :

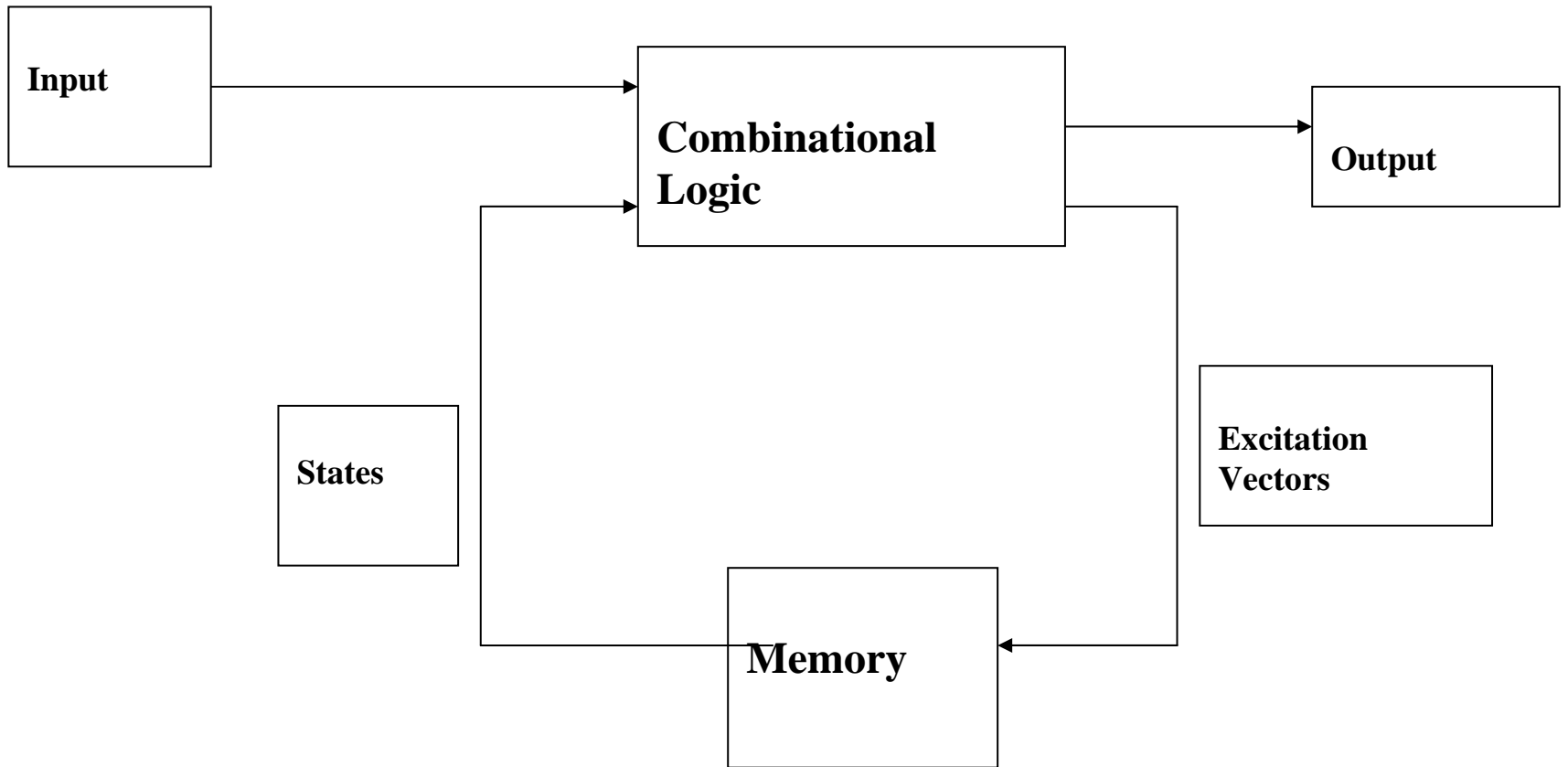
A D Flip Flop with a falling-edge trigger.



Edge triggered Flip Flop:

Set up and Hold time Constraints





Example 1

Design a sequence detector that detects a sequence of 2 zeros or 3 ones on an incoming serial data line. Assume an asynchronous reset that initializes the machine.

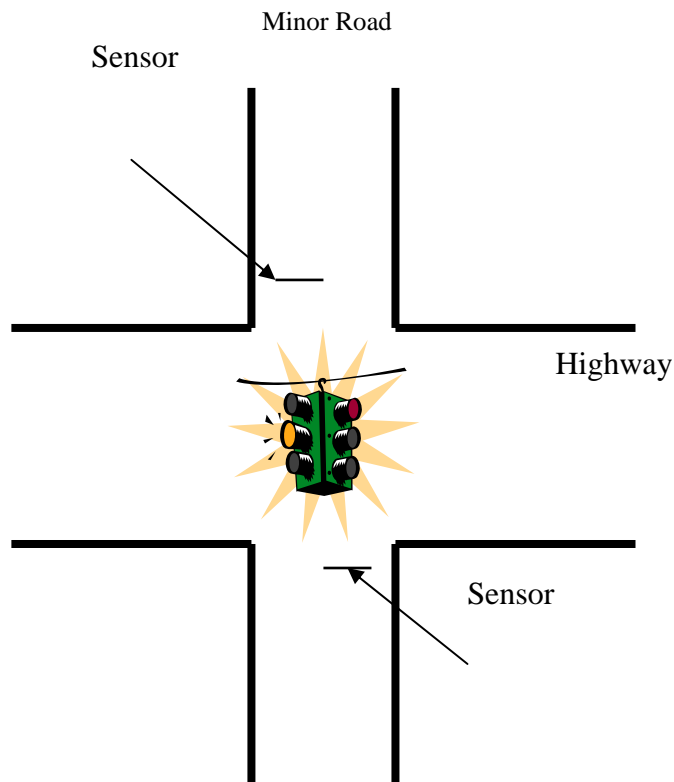
Let input be x , and output be z .

Example 2

When a minor road crosses a highway a traffic controller is installed to control the flow of traffic. Normally the highway is given the right of way and where is a demand on the minor road then the highway is interrupted to give access to the minor road. You are asked to design controller to work on this principals.

The highway should be given the right of way. If any of the sensors on the minor road do not detect presence of a car or if the sensor does detect a car but an amount of time equal to or greater than $T_{long}=30$ seconds, has not elapsed since last change.

If there was a car on the minor road and amount of time greater than T_{long} has elapsed, then the traffic light should cycle through amber for $T_{short}=3$ seconds and change to Red, while minor road changes to Green. The minor road now should have access of the road while there is car but never more than T_{long} . The minor road then should cycle back to red through a $T_{short}=3$ second. While the highway cycles back to green



Example 3^[1]

Design a Tool Booth Controller that controls the signal and the barrier of a toll booth on a highway. The Booth and Controller is shown in the figure below and has the following components.

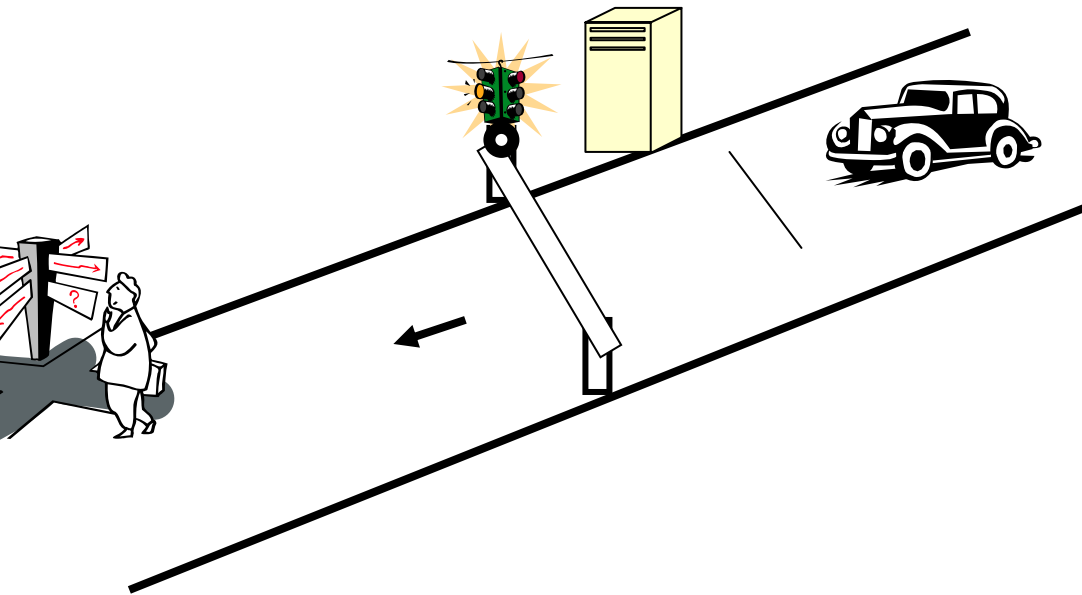
A sensor on the driveway that shows presence of a car, ie signal $S=1$, $S=0$ otherwise.

A coin machine receiving the exact coin. When coin is inserted, signal $C=1$, otherwise $C=0$.

$T=1$ traffic light is green and the barrier open.

$T=0$ traffic light is red and the barrier is closed.

At normal times the tollbooth is idle. Traffic signal is red and the barrier is closed. When a car enters the driveway of the booth, then the presence of the car is detected with $S=1$ from the sensor. The controller then waits for the right coin. When the coin is inserted, $C=1$, then the traffic light turns green $T=1$ and the barrier is raised. When the car passes all signals are reset and the barrier is lowered. Assume there is room for one car only at the booth.

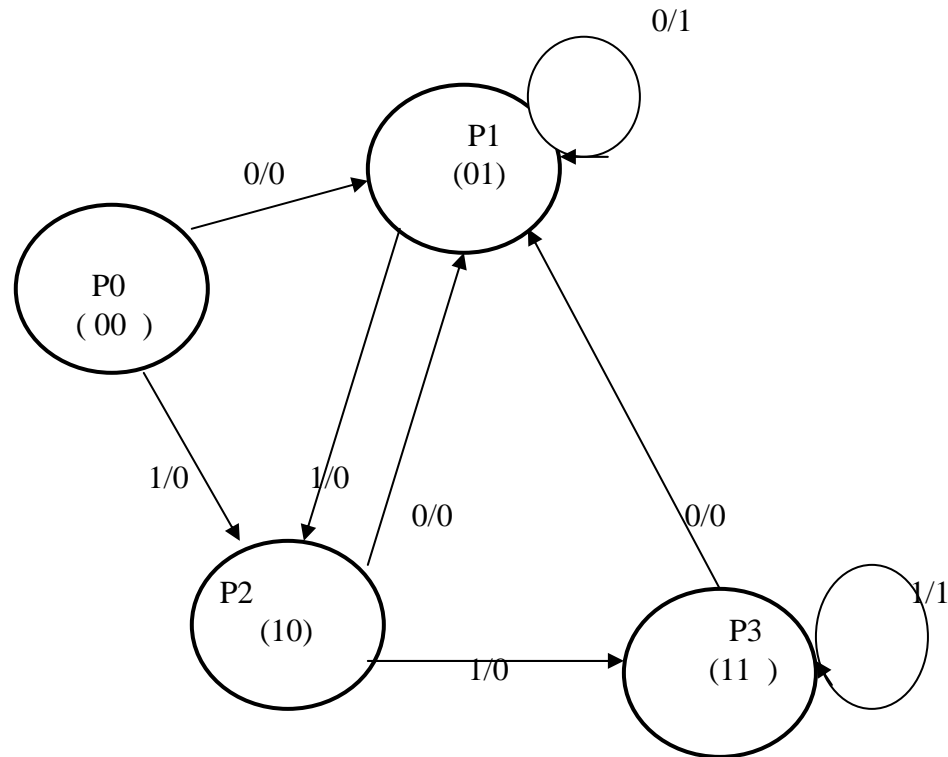


Example

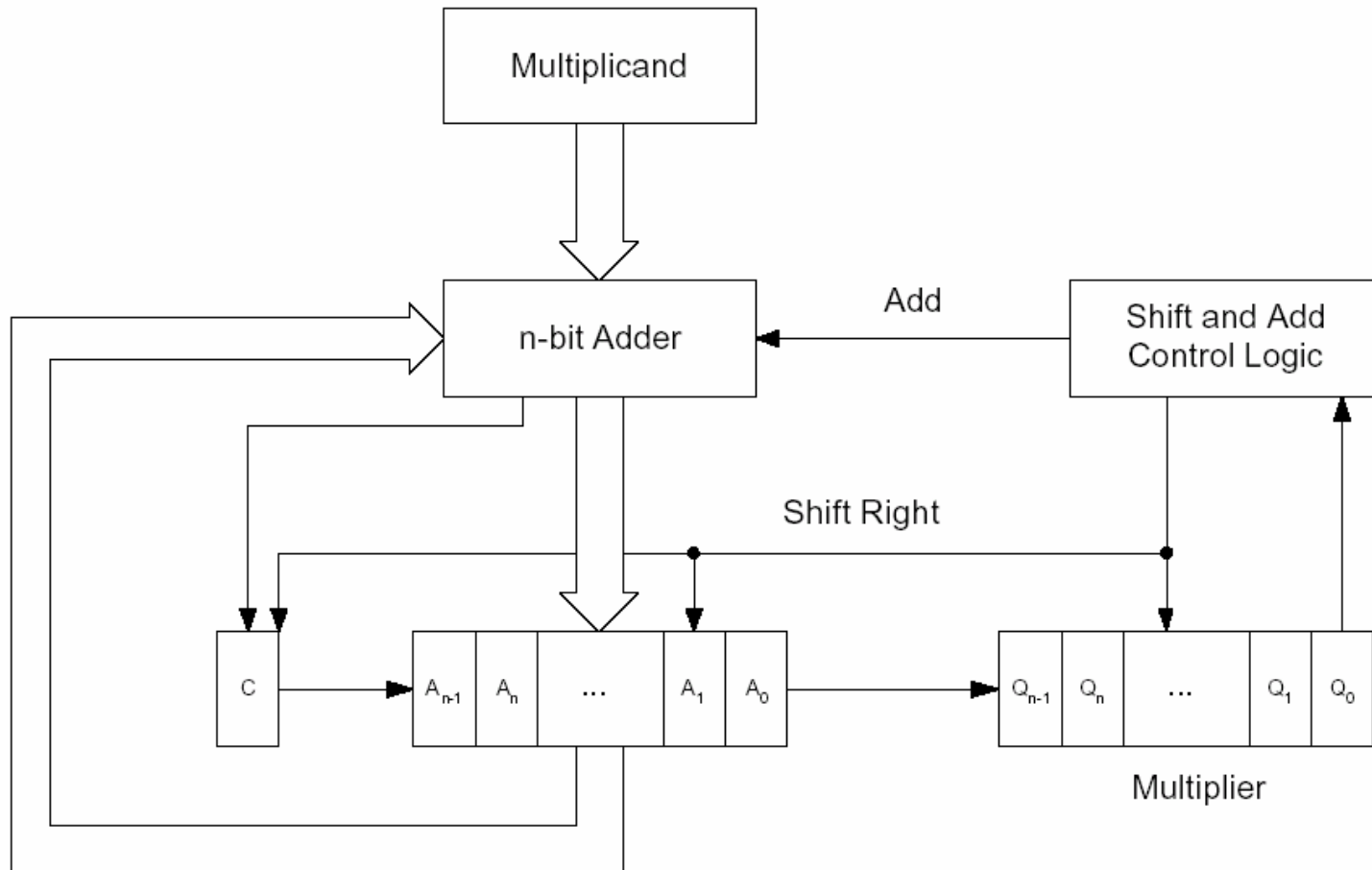
Design a sequence detector that detects a sequence of 2 zeros or 3 ones on an incoming serial data line. Assume an asynchronous reset that initializes the machine.

Let the input be x , and the output be z .

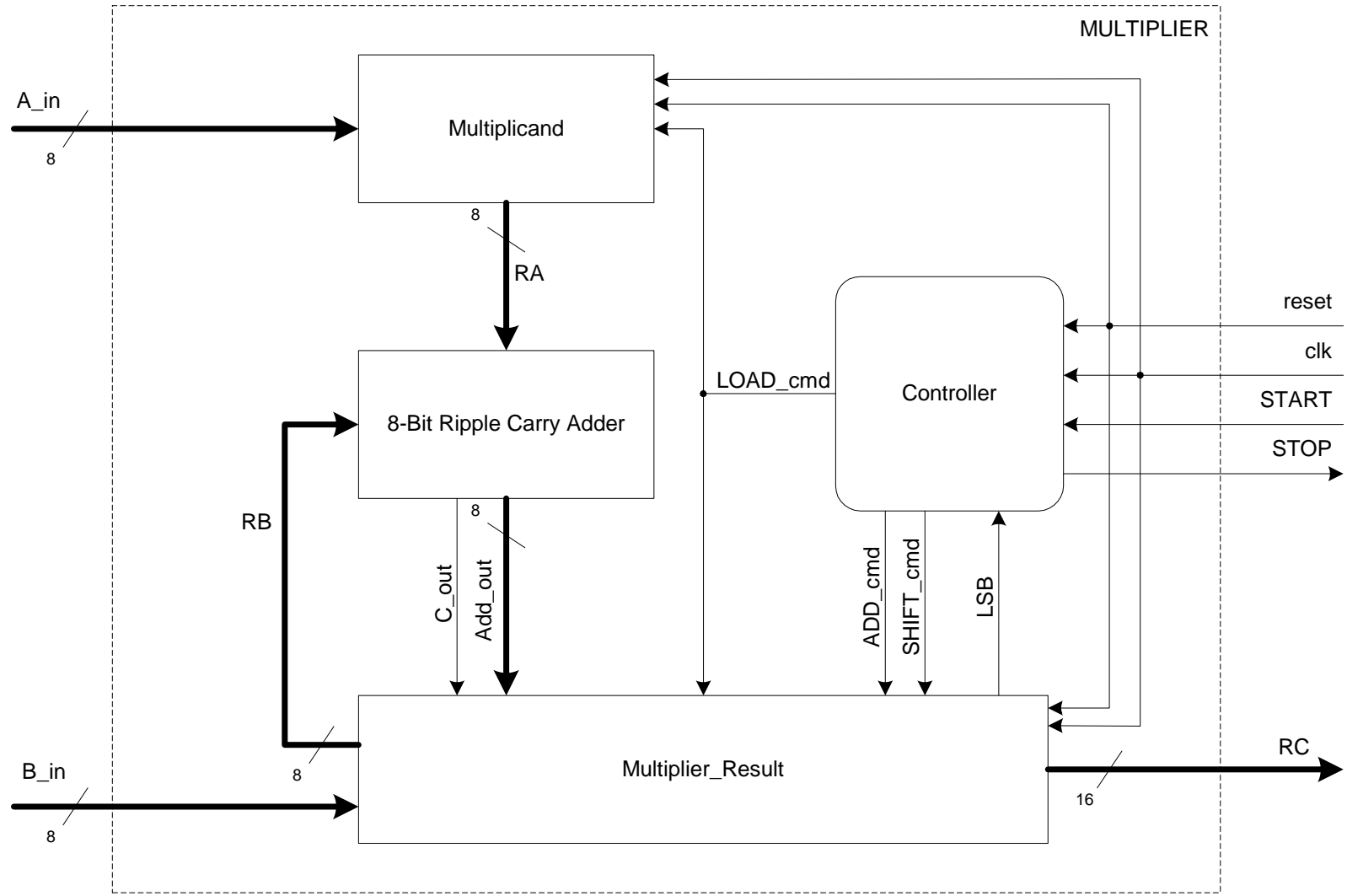
We have the following state diagram



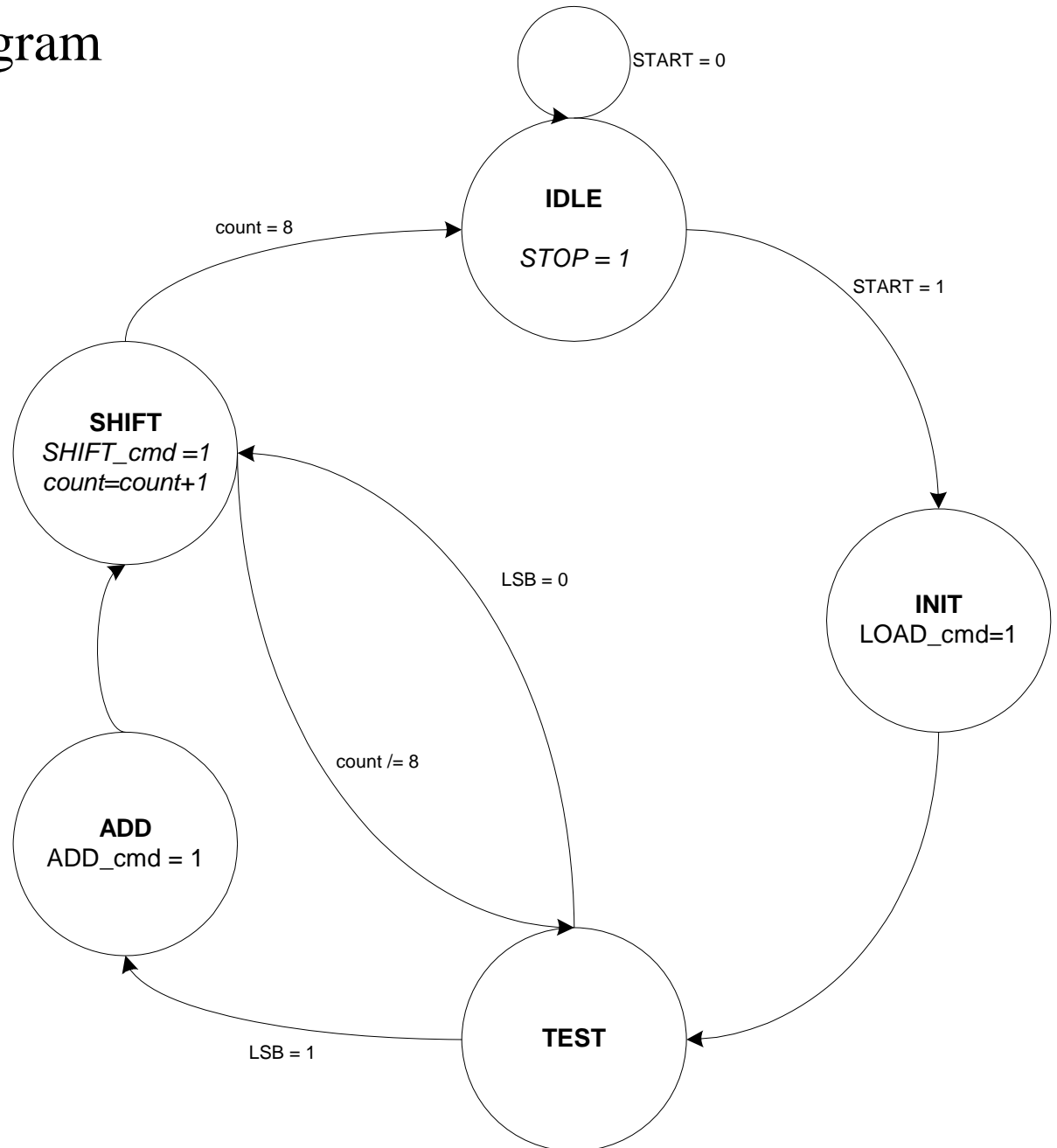
Controller for a Shift and Add Multiplier



Multiplier Design Block Diagram



Controller FSM Diagram



Multiplier controller

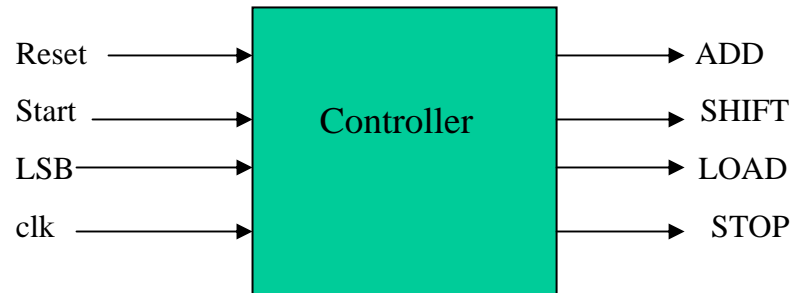
VHDL: Controller (COEN 6501)

```
-----  
--  
-- Library Name : DSD  
-- Unit Name : Controller  
--  
-----  
-----  
-- Date      : Mon Oct 27 12:36:47 2003  
--  
-- Author    : Giovanni D'Aliesio  
--  
-- Description: Controller is a finite state machine  
--             that performs the following in each  
--             state:  
-- IDLE      > samples the START signal  
-- INIT      > commands the registers to be  
--            loaded  
-- TEST      > samples the LSB  
-- ADD       > indicates the Add result to be stored  
-- SHIFT     > commands the register to be shifted  
--  
-----  
.
```

Cell Information

Interface

```
library ieee;  
use ieee.std_logic_1164.all;  
use ieee.std_logic_arith.all;  
use ieee.std_logic_unsigned.all;  
entity Controller is  
port (reset   : in std_logic ;  
      clk     : in std_logic ;  
      START   : in std_logic ;  
      LSB     : in std_logic ;  
      ADD_cmd : out std_logic ;  
      SHIFT_cmd : out std_logic ;  
      LOAD_cmd : out std_logic ;  
      STOP    : out std_logic);  
end;
```



architecture rtl of Controller *is*

signal temp_count : std_logic_vector(2 downto 0);

-- declare states

type state_typ *is* (IDLE, INIT, TEST, ADD, SHIFT);

signal state : state_typ;

begin

process (clk, reset)

begin if reset='0' **then** state <= IDLE;

temp_count <= "000";

elsif (clk'event and clk='1') **then**

case state *is*

when IDLE => **if** START = '1' **then** state <= INIT; **else** state <= IDLE; **end if**;

when INIT => state <= TEST;

when TEST = **if** LSB = '0' **then** state <= SHIFT **else** state <= ADD; **end if**;

when ADD => state <= SHIFT;

when SHIFT => **if** temp_count = "111" **then** -- verify if finished
temp_count <= "000"; -- re-initialize counter
state <= IDLE; -- ready for next multiply

else temp_count <= temp_count + 1; -- increment counter

state <= TEST; **end if**;

end case;

end if;

end process;

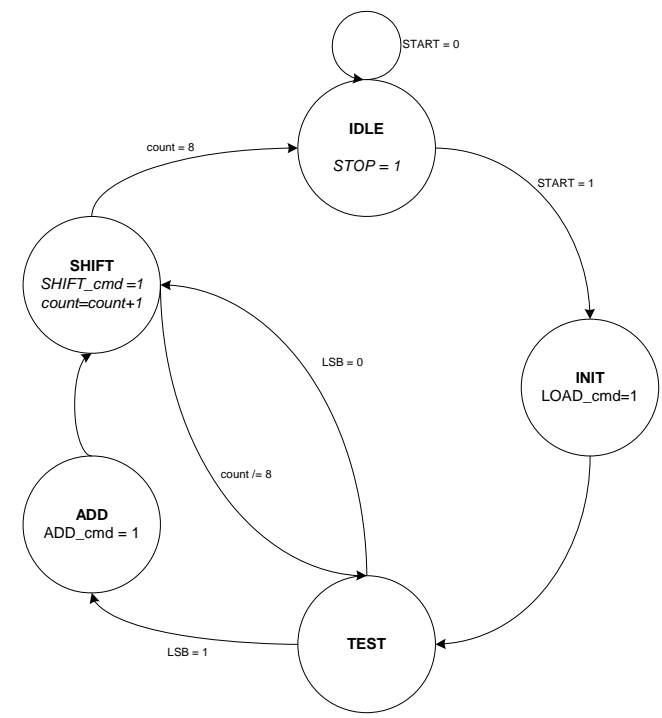
STOP <= '1' **when** state = IDLE **else** '0';

ADD_cmd <= '1' **when** state = ADD **else** '0';

SHIFT_cmd <= '1' **when** state = SHIFT **else** '0';

LOAD_cmd <= '1' **when** state = INIT **else** '0';

end rtl;



Controller Simulation Timing Diagram

