
EEL 5722C

Field-Programmable Gate Array Design

Lecture 12: Pipelined Processor Design and Implementation

Patt and Patel: Intro. to Computing System

Prof. Mingjie Lin



Instruction Set Architecture

- **ISA** = All of the *programmer-visible* components and operations of the computer
 - **memory organization**
 - address space -- how many locations can be addressed?
 - addressability -- how many bits per location?
 - **register set**
 - how many? what size? how are they used?
 - **instruction set**
 - opcodes
 - data types
 - addressing modes
 - ISA provides all information needed for someone that wants to write a program in **machine language** (or translate from a high-level language to machine language).
-

LC-3 Overview: Memory and Registers

- **Memory**
 - address space: 2^{16} locations (16-bit addresses)
 - addressability: **16 bits**
- **Registers**
 - temporary storage, accessed in a single machine cycle
 - accessing memory generally takes longer than a single cycle
 - eight general-purpose registers: **R0 - R7**
 - each **16 bits wide**
 - how many bits to uniquely identify a register?
 - other registers
 - not directly addressable, but used by (and affected by) instructions
 - **PC** (program counter), **condition codes**

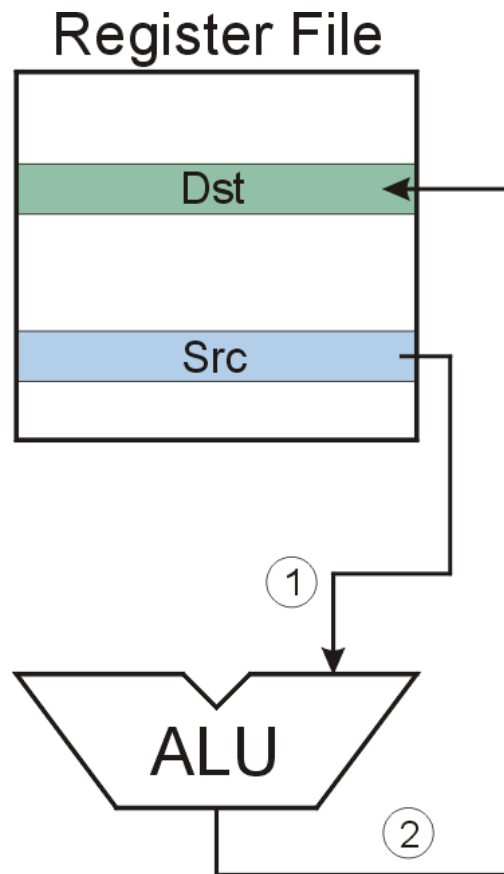
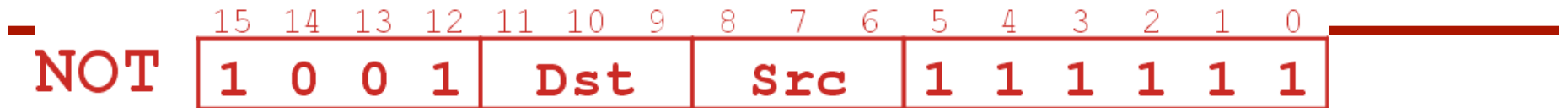
LC-3 Overview: Instruction Set

- **Opcodes**
 - 15 opcodes
 - *Operate* instructions: ADD, AND, NOT
 - *Data movement* instructions: LD, LDI, LDR, LEA, ST, STR, STI
 - *Control* instructions: BR, JSR/JSRR, JMP, RTI, TRAP
 - some opcodes set/clear *condition codes*, based on result:
 - N = negative, Z = zero, P = positive (> 0)
 - **Data Types**
 - 16-bit 2's complement integer
 - **Addressing Modes**
 - How is the location of an operand specified?
 - non-memory addresses: *immediate*, *register*
 - memory addresses: *PC-relative*, *indirect*, *base+offset*
-

Operate Instructions

- Only three operations: **ADD, AND, NOT**
- Source and destination operands are **registers**
 - These instructions *do not* reference memory.
 - ADD and AND can use “immediate” mode, where one operand is hard-wired into the instruction.
- Will show **dataflow diagram** with each instruction.
 - illustrates *when* and *where* data moves to accomplish the desired operation

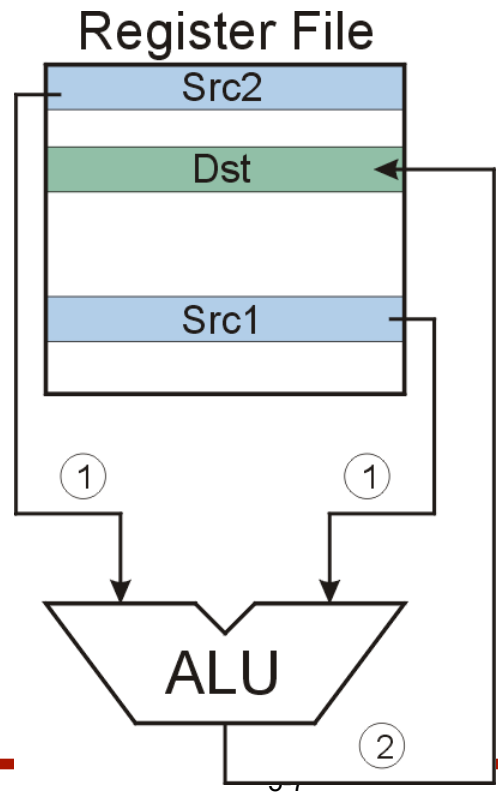
NOT (Register)



Note: Src and Dst could be the same register.

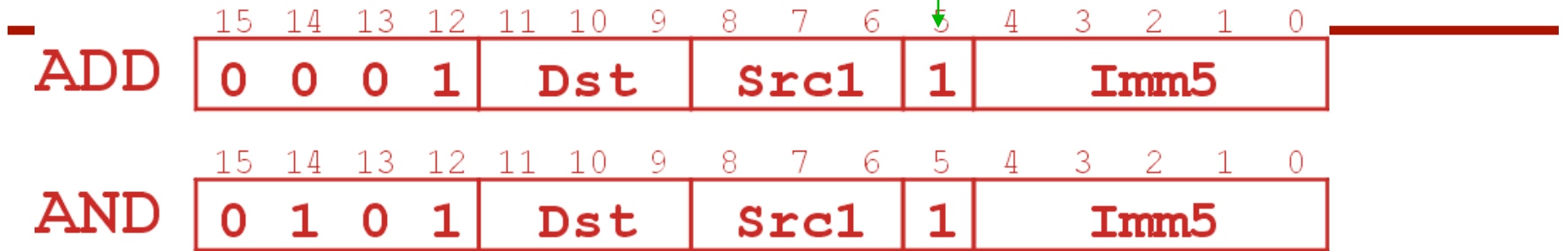
ADD/AND (Register)

this zero means "register mode"

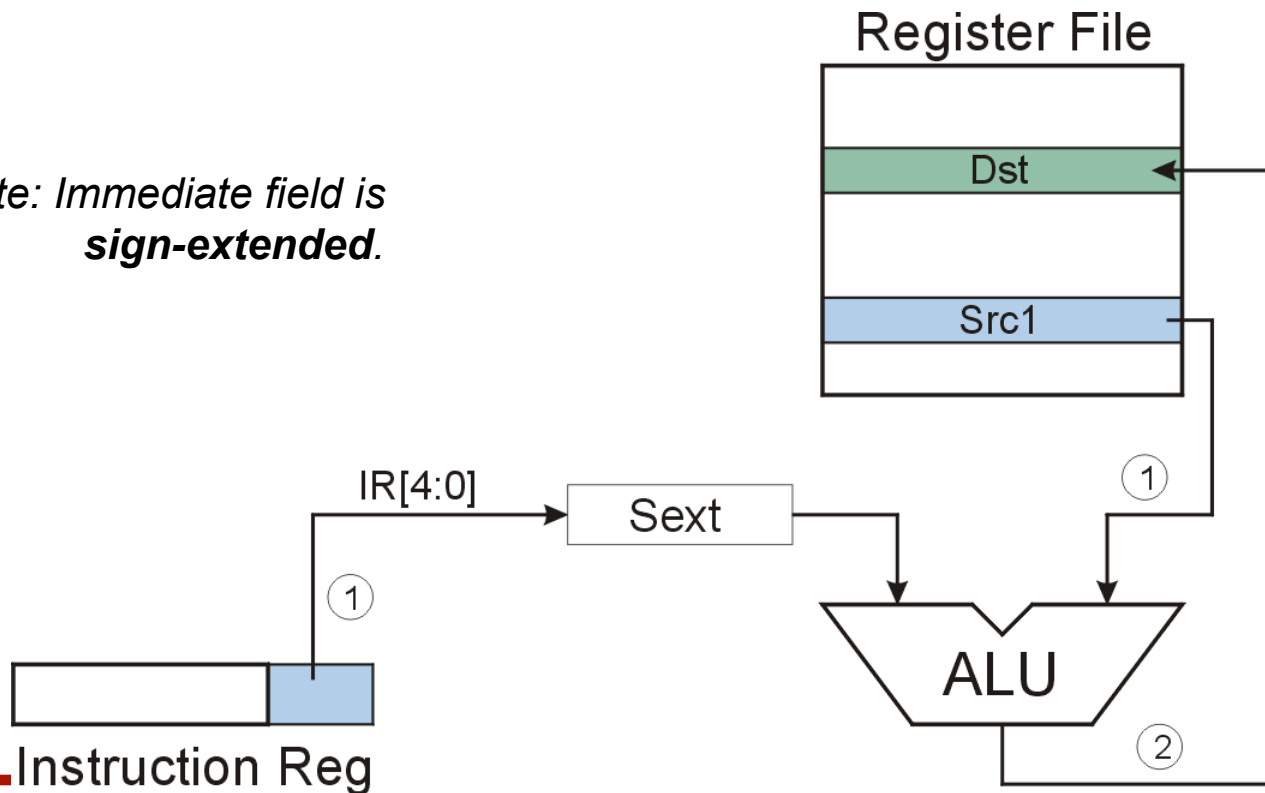


ADD/AND (Immediate)

this one means "immediate mode"



Note: Immediate field is sign-extended.



Using Operate Instructions

- With only ADD, AND, NOT...
 - How do we subtract?
 - How do we OR?
 - How do we copy from one register to another?
 - How do we initialize a register to zero?

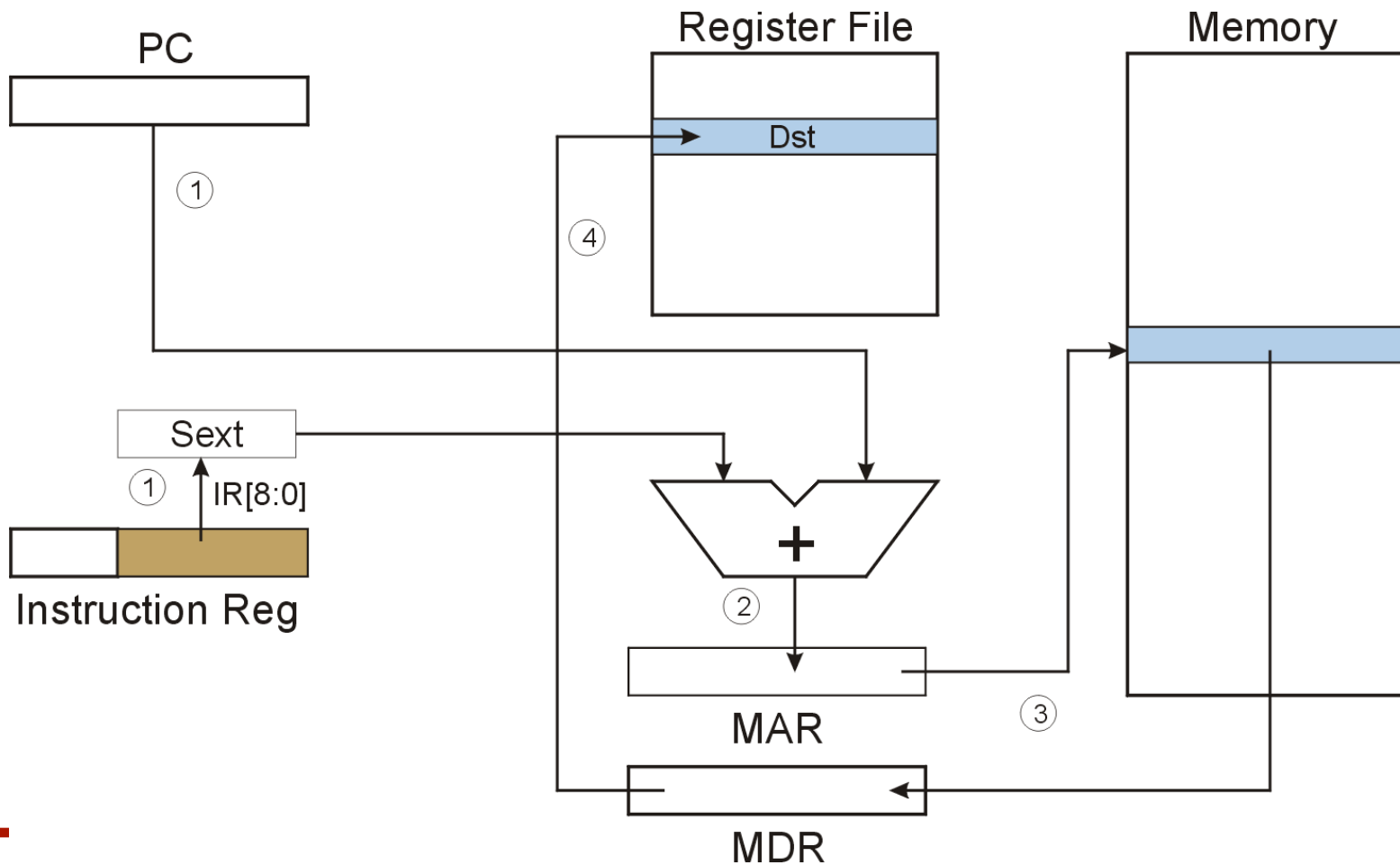
Data Movement Instructions

- Load -- read data **from memory to register**
 - **LD**: PC-relative mode
 - **LDR**: base+offset mode
 - **LDI**: indirect mode
 - Store -- write data **from register to memory**
 - **ST**: PC-relative mode
 - **STR**: base+offset mode
 - **STI**: indirect mode
 - Load effective address -- compute address, save in register
 - **LEA**: immediate mode
 - *does not access memory*
-

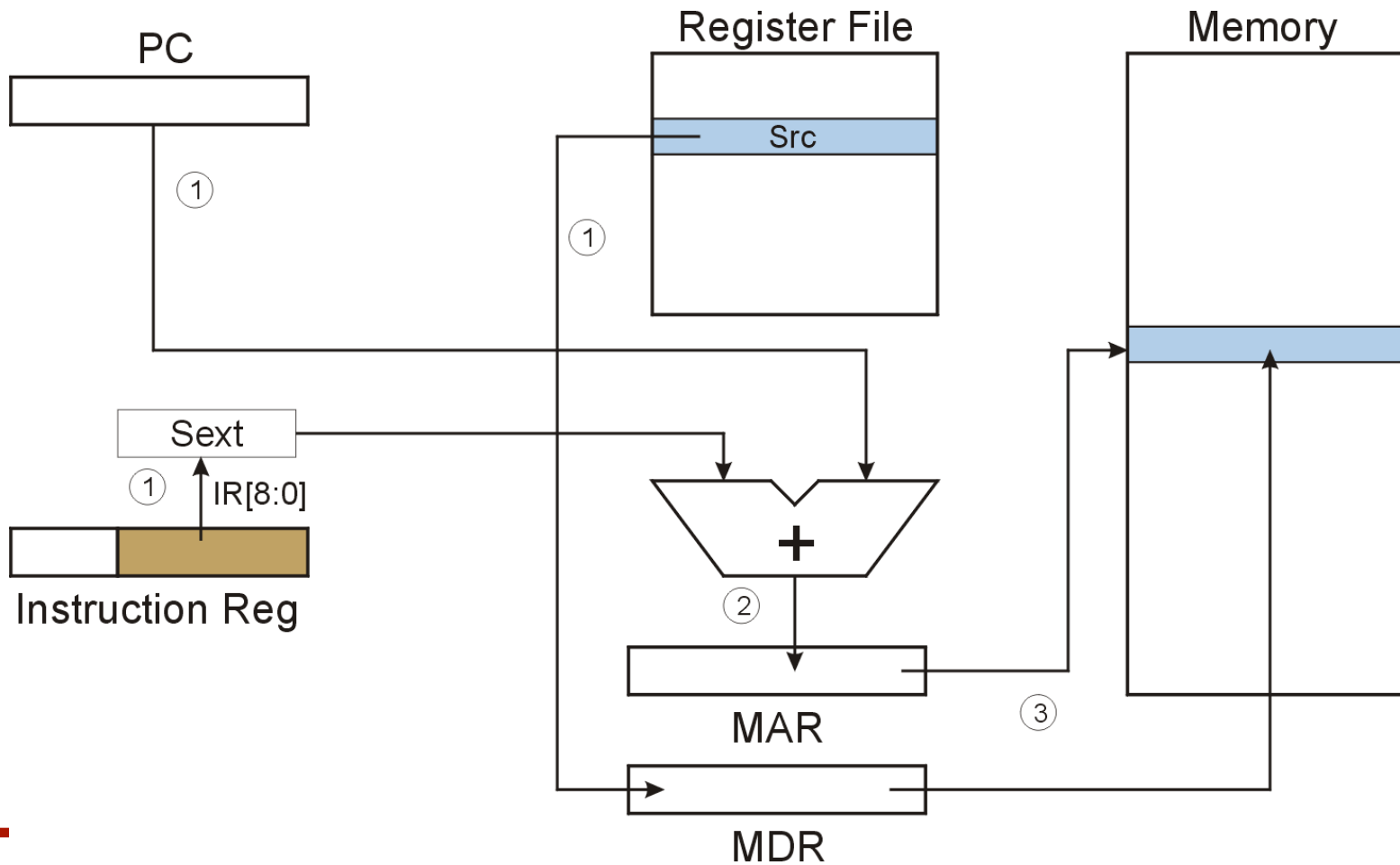
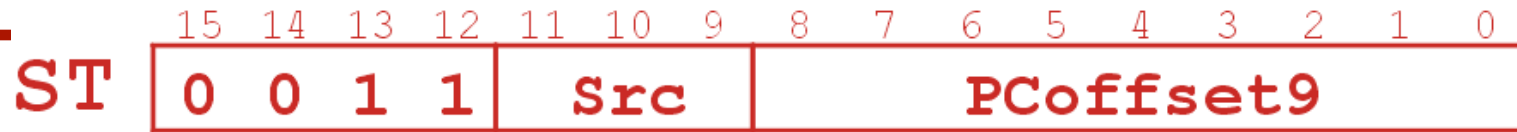
PC-Relative Addressing Mode

- Want to specify address directly in the instruction
 - But an address is 16 bits, and so is an instruction!
 - After subtracting 4 bits for opcode and 3 bits for register, we have 9 bits available for address.
 - **Solution:**
 - Use the 9 bits as a signed offset from the current PC.
 - 9 bits:
 - Can form any address X, such that:
 - $-256 \leq \text{offset} \leq +255$ $\text{PC} - 256 \leq X \leq \text{PC} + 255$
 - Remember that PC is incremented as part of the FETCH phase;
 - This is done before the EVALUATE ADDRESS stage.
-

LD (PC-Relative)



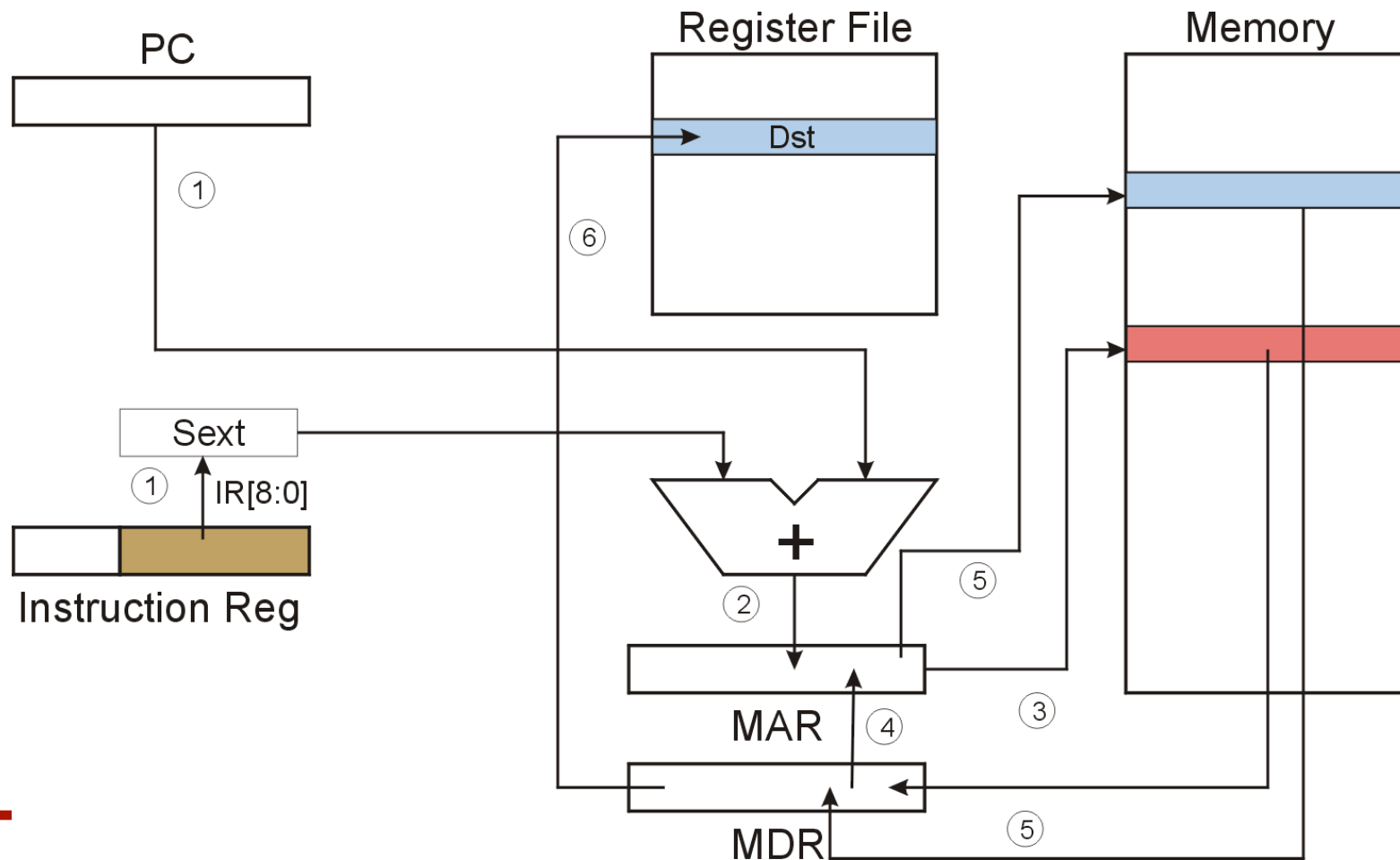
ST (PC-Relative)



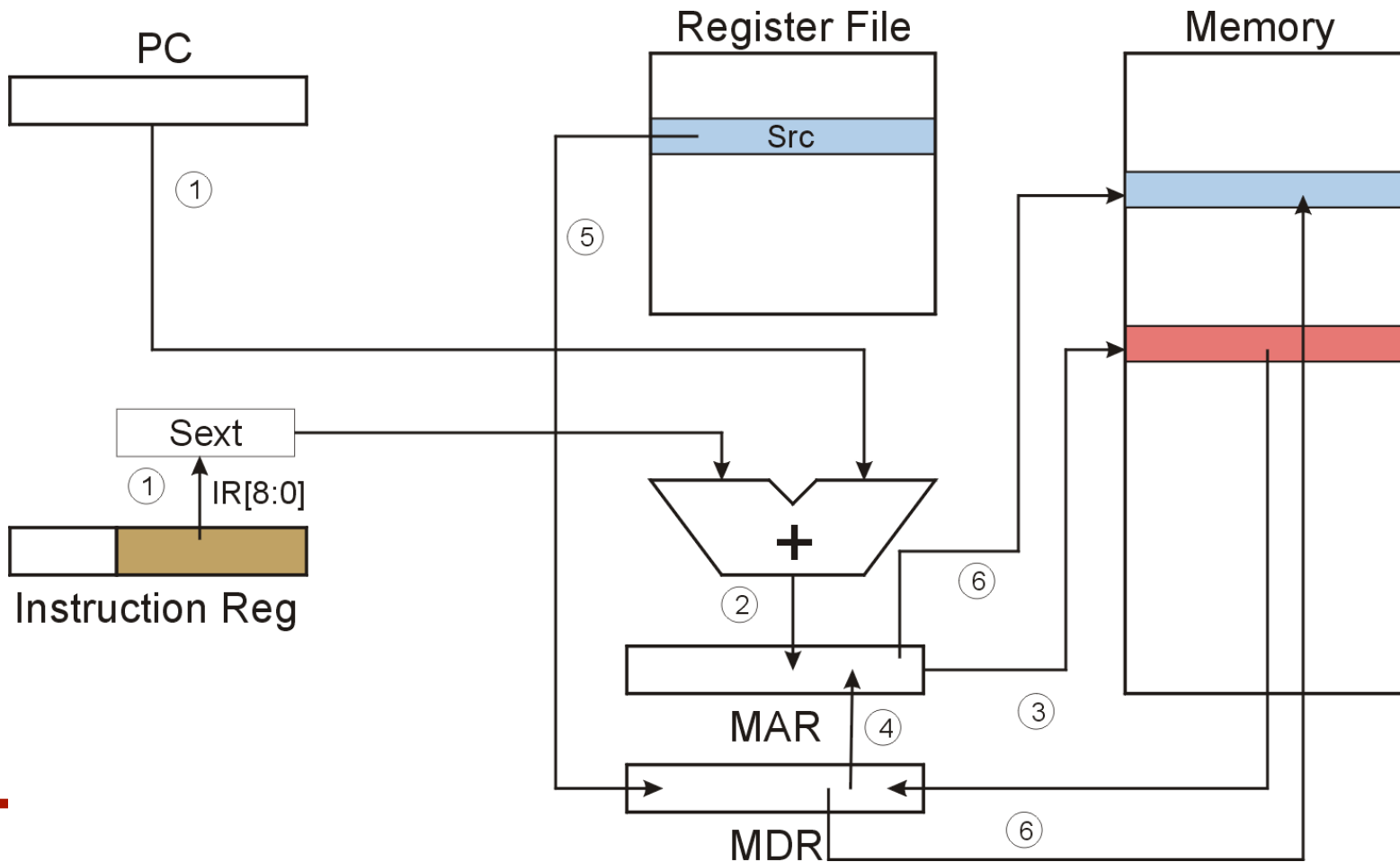
Indirect Addressing Mode

- With PC-relative mode, can only address data within 256 words of the instruction.
 - What about the rest of memory?
- **Solution #1:**
 - Read address from memory location, then load/store to that address.
- First address is generated from PC and IR (just like PC-relative addressing), then content of that address is used as target for load/store.

LDI (Indirect)



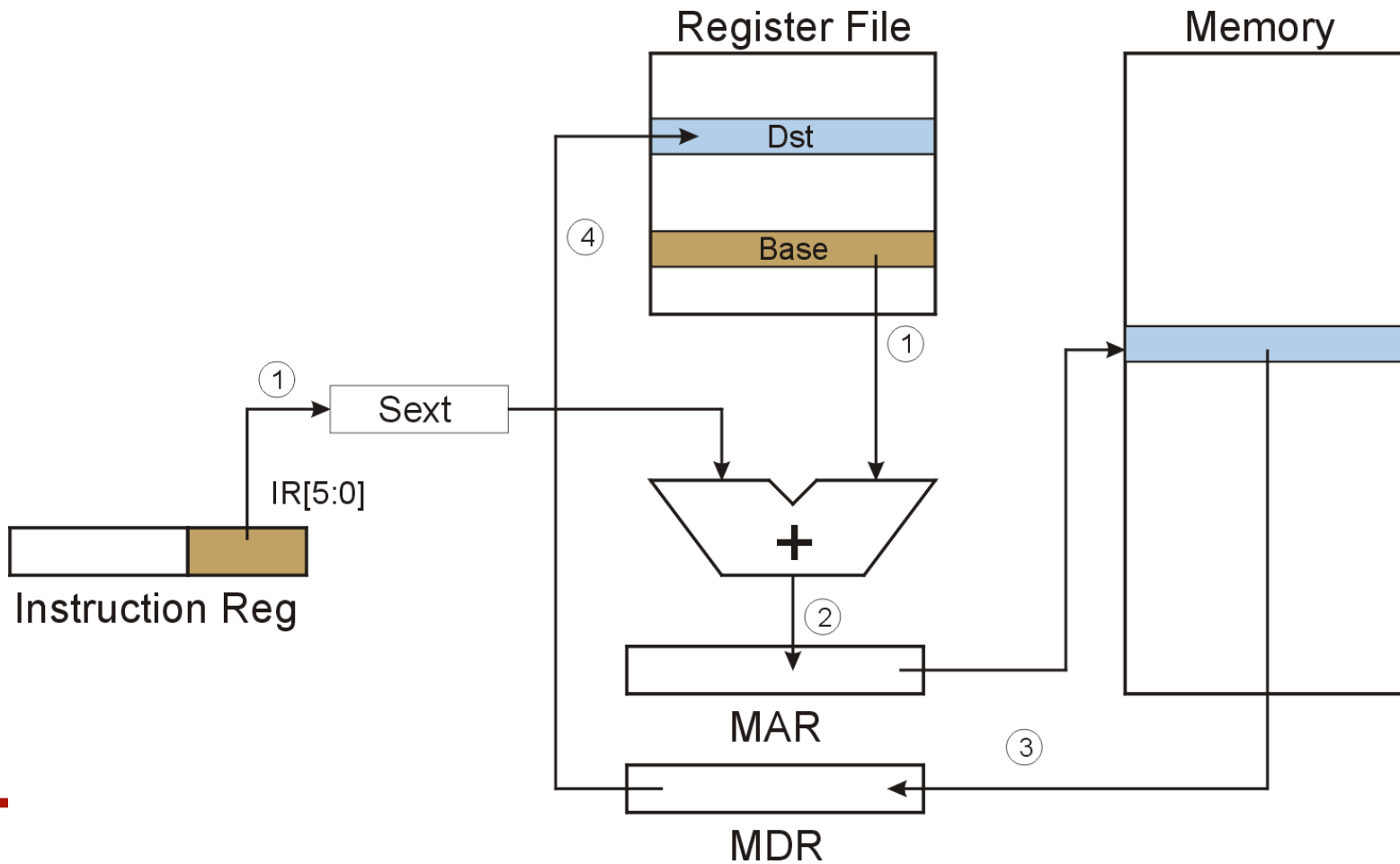
STI (Indirect)



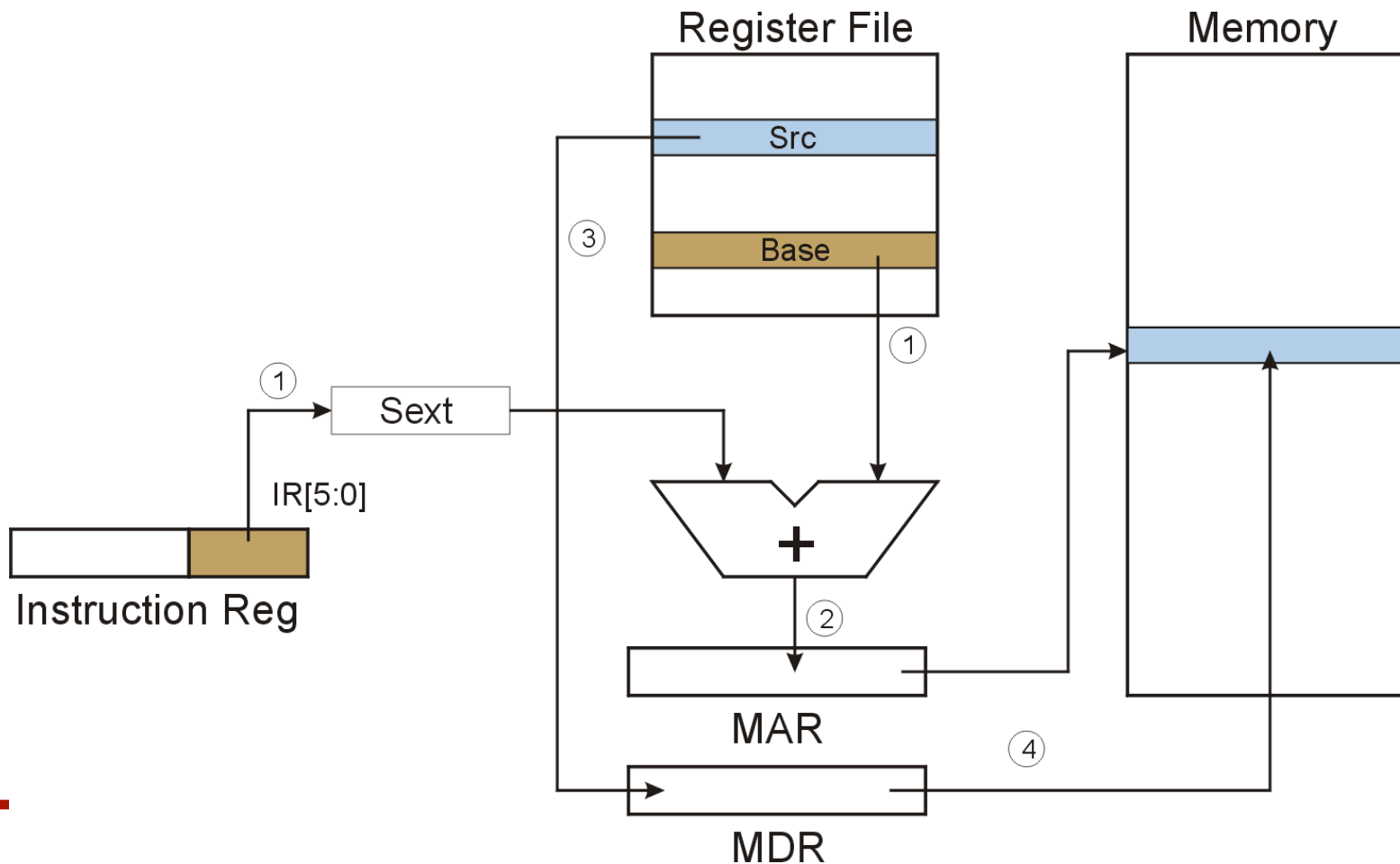
Base + Offset Addressing Mode

- With PC-relative mode, can only address data within 256 words of the instruction.
 - What about the rest of memory?
- Solution #2:
 - Use a register to generate a full 16-bit address.
- 4 bits for opcode, 3 for src/dest register, 3 bits for *base* register -- remaining 6 bits are used as a *signed offset*.
 - Offset is *sign-extended* before adding to base register.

LDR (Base+Offset)



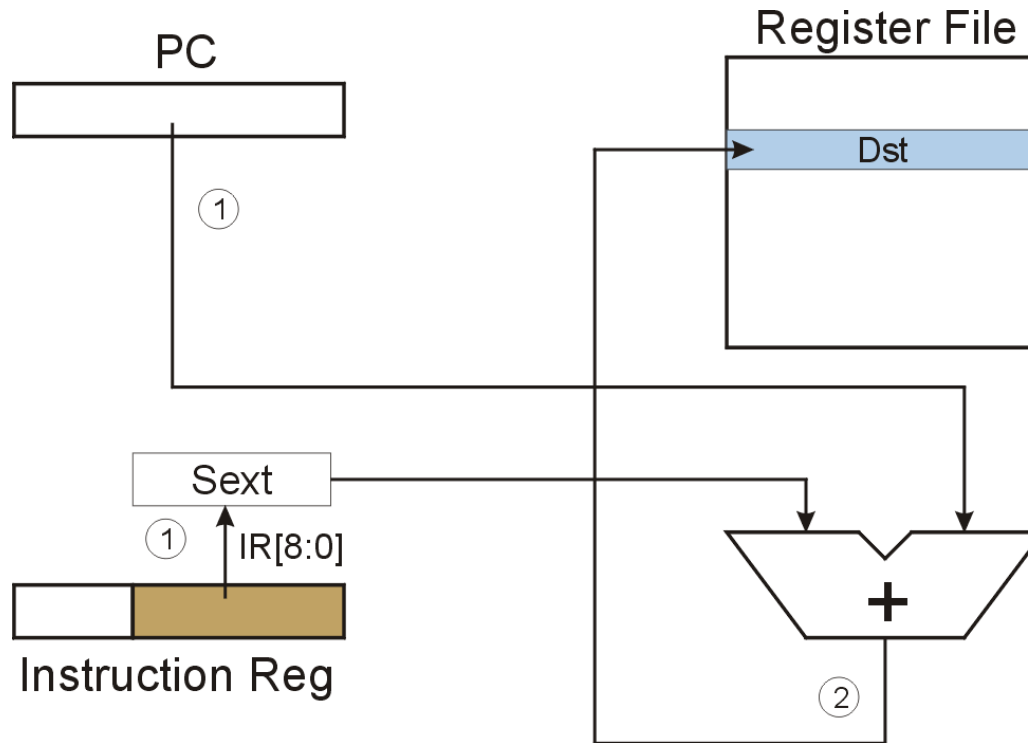
STR (Base+Offset)



Load Effective Address

- Computes address like PC-relative (PC plus signed offset) and **stores the result into a register.**
- Note: The address is stored in the register, not the contents of the memory location.

LEA (Immediate)



Example

Address	Instruction	Comments
x30F6	1 1 1 0 0 0 1 1 1 1 1 1 1 0 1	$R1 \leftarrow PC - 3 = x30F4$
x30F7	0 0 0 1 0 1 0 0 0 1 1 0 1 1 1 0	$R2 \leftarrow R1 + 14 = x3102$
x30F8	0 0 1 1 0 1 0 1 1 1 1 1 1 0 1 1	$M[PC - 5] \leftarrow R2$ $M[x30F4] \leftarrow x3102$
x30F9	0 1 0 1 0 1 0 0 1 0 1 0 0 0 0 0	$R2 \leftarrow 0$
x30FA	0 0 0 1 0 1 0 0 1 0 1 0 0 1 0 1	$R2 \leftarrow R2 + 5 = 5$
x30FB	0 1 1 1 0 1 0 0 0 1 0 0 1 1 1 0	$M[R1+14] \leftarrow R2$ $M[x3102] \leftarrow 5$
x30FC	1 0 1 0 0 1 1 1 1 1 1 1 1 0 1 1 1	$R3 \leftarrow M[M[x30F4]]$ $R3 \leftarrow M[x3102]$ $R3 \leftarrow 5$

opcode

Control Instructions

- Used to alter the sequence of instructions (by changing the Program Counter)
- **Conditional Branch**
 - branch is *taken* if a specified condition is true
 - signed offset is added to PC to yield new PC
 - else, the branch is *not taken*
 - PC is not changed, points to the next sequential instruction
- **Unconditional Branch (or Jump)**
 - always changes the PC
- **TRAP**
 - changes PC to the address of an OS “service routine”
 - routine will return control to the next instruction (after TRAP)

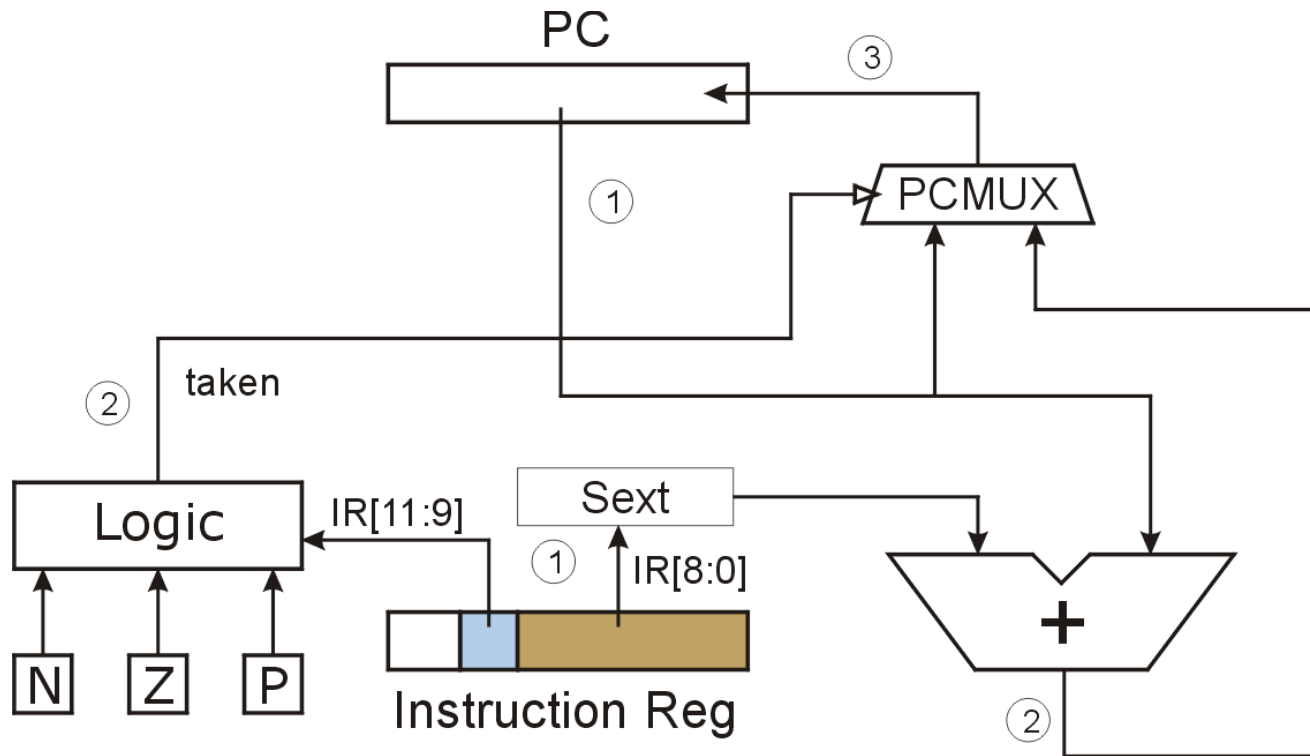
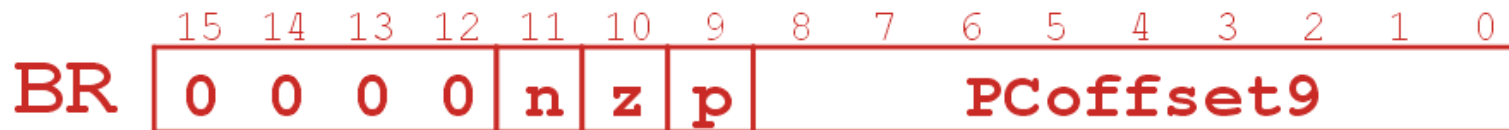
Condition Codes

- LC-3 has three **condition code** registers:
 - N** -- negative
 - Z** -- zero
 - P** -- positive (greater than zero)
- Set by any instruction that writes a value to a register (ADD, AND, NOT, LD, LDR, LDI, LEA)
- Exactly one will be set at all times
 - Based on the last instruction that altered a register

Branch Instruction

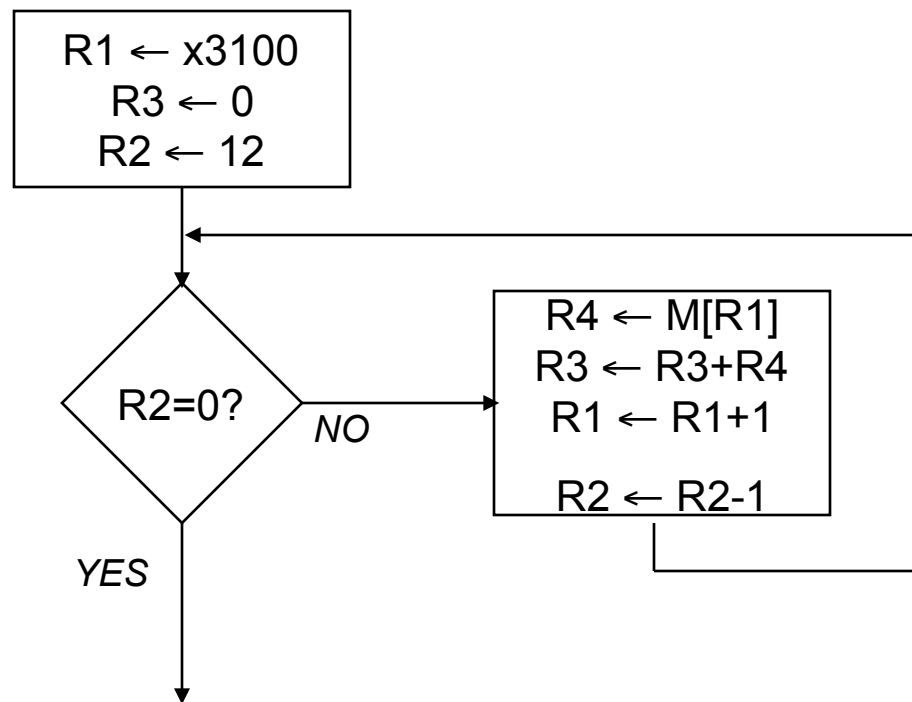
- Branch specifies one or more condition codes.
- If the set bit is specified, the branch is taken.
 - PC-relative addressing:
target address is made by adding signed offset (IR[8:0]) to current PC.
 - Note: PC has already been incremented by FETCH stage.
 - Note: Target must be within 256 words of BR instruction.
- If the branch is not taken, the next sequential instruction is executed.

BR (PC-Relative)



Using Branch Instructions

- Compute sum of 12 integers.
Numbers start at location x3100. Program starts at location x3000.

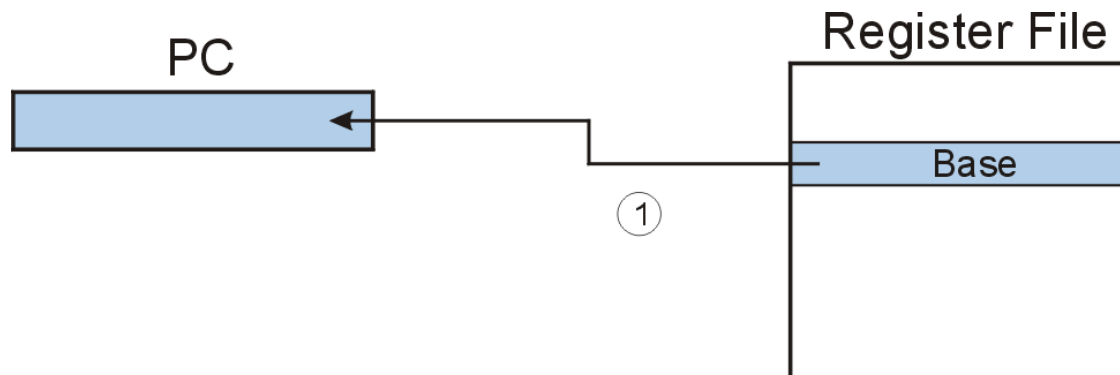


Sample Program

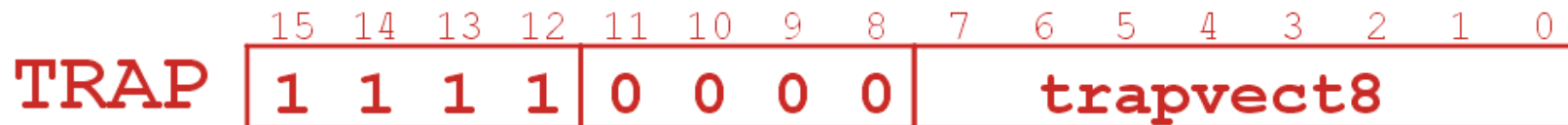
Address	Instruction	Comments
x3000	1 1 1 0 0 0 1 0 1 1 1 1 1 1 1	$R1 \leftarrow x3100$ (PC+0xFF)
x3001	0 1 0 1 0 1 1 0 1 1 1 0 0 0 0 0	$R3 \leftarrow 0$
x3002	0 1 0 1 0 1 0 0 1 0 1 0 0 0 0 0	$R2 \leftarrow 0$
x3003	0 0 0 1 0 1 0 0 1 0 1 0 1 1 0 0	$R2 \leftarrow 12$
x3004	0 0 0 0 0 1 0 0 0 0 0 0 0 1 0 1	If Z, goto x300A (PC+5)
x3005	0 1 1 0 1 0 0 0 0 1 0 0 0 0 0 0	Load next value to R4
x3006	0 0 0 1 0 1 1 0 1 1 0 0 0 0 0 1	Add to R3
x3007	0 0 0 1 0 0 1 0 0 1 1 0 0 0 0 1	Increment R1 (pointer)
X3008	0 0 0 1 0 1 0 0 1 0 1 1 1 1 1 1	Decrement R2 (counter)
x3009	0 0 0 0 1 1 1 1 1 1 1 1 1 0 1 0	Goto x3004 (PC-6)

JMP (Register)

- Jump is an unconditional branch -- always taken.
 - Target address is the contents of a register.
 - Allows any target address.



TRAP



- Calls a **service routine**, identified by 8-bit “trap vector.”

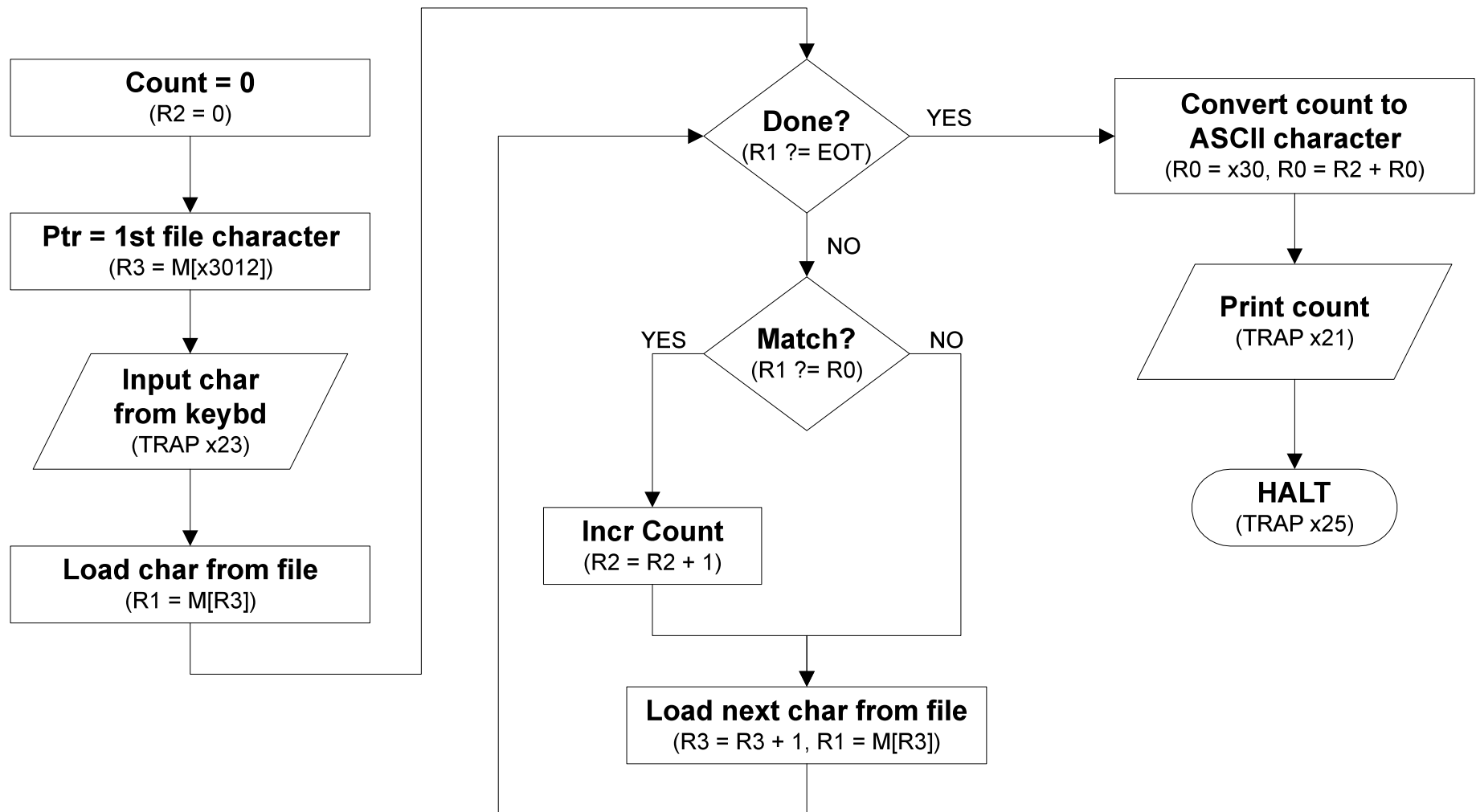
<i>vector</i>	<i>routine</i>
x23	input a character from the keyboard
x21	output a character to the monitor
x25	halt the program

- When routine is done,
PC is set to the instruction following TRAP.
- (We’ll talk about how this works later.)

Another Example

-
- **Count the occurrences of a character in a file**
 - Program begins at location x3000
 - Read character from keyboard
 - Load each character from a “file”
 - File is a sequence of memory locations
 - Starting address of file is stored in the memory location immediately after the program
 - If file character equals input character, increment counter
 - End of file is indicated by a special ASCII value: **EOT (x04)**
 - At the end, print the number of characters and halt
(assume there will be less than 10 occurrences of the character)
 - A special character used to indicate the end of a sequence is often called a **sentinel**.
 - Useful when you don't know ahead of time how many times to execute a loop.
-

Flow Chart



Program (1 of 2)

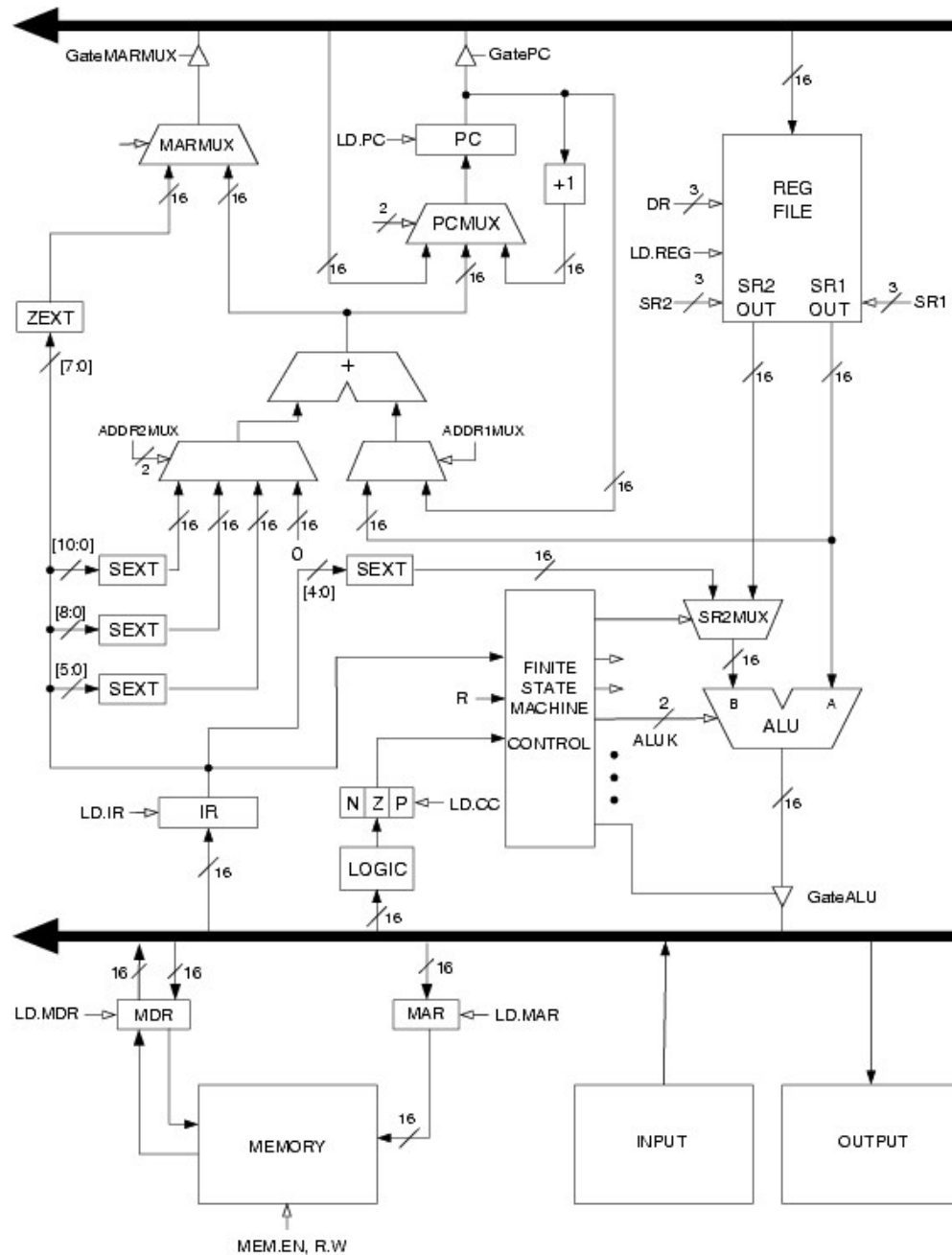
Address	Instruction	Comments
x3000	0 1 0 1 0 1 0 0 1 0 1 0 0 0 0 0	$R2 \leftarrow 0$ (counter)
x3001	0 0 1 0 0 1 1 0 0 0 0 1 0 0 0 0	$R3 \leftarrow M[x3102]$ (ptr)
x3002	1 1 1 1 0 0 0 0 0 0 1 0 0 0 1 1	Input to R0 (TRAP x23)
x3003	0 1 1 0 0 0 1 0 1 1 0 0 0 0 0 0	$R1 \leftarrow M[R3]$
x3004	0 0 0 1 1 0 0 0 0 1 1 1 1 1 0 0	$R4 \leftarrow R1 - 4$ (EOT)
x3005	0 0 0 0 0 1 0 0 0 0 0 0 1 0 0 0	If Z, goto x300E
x3006	1 0 0 1 0 0 1 0 0 1 1 1 1 1 1 1	$R1 \leftarrow \text{NOT } R1$
x3007	0 0 0 1 0 0 1 0 0 1 1 0 0 0 0 1	$R1 \leftarrow R1 + 1$
X3008	0 0 0 1 0 0 1 0 0 1 0 0 0 0 0 0	$R1 \leftarrow R1 + R0$
x3009	0 0 0 0 1 0 1 0 0 0 0 0 0 0 0 1	If N or P, goto x300B

Program (2 of 2)

Address	Instruction	Comments
x300A	0 0 0 1 0 1 0 0 1 0 1 0 0 0 0 1	$R2 \leftarrow R2 + 1$
x300B	0 0 0 1 0 1 1 0 1 1 1 0 0 0 0 1	$R3 \leftarrow R3 + 1$
x300C	0 1 1 0 0 0 1 0 1 1 0 0 0 0 0 0	$R1 \leftarrow M[R3]$
x300D	0 0 0 0 1 1 1 1 1 1 1 1 0 1 1 0	Goto x3004
x300E	0 0 1 0 0 0 0 0 0 0 0 0 0 1 0 0	$R0 \leftarrow M[x3013]$
x300F	0 0 0 1 0 0 0 0 0 0 0 0 0 0 1 0	$R0 \leftarrow R0 + R2$
x3010	1 1 1 1 0 0 0 0 0 0 1 0 0 0 0 1	Print R0 (TRAP x21)
x3011	1 1 1 1 0 0 0 0 0 0 1 0 0 1 0 1	HALT (TRAP x25)
X3012	Starting Address of File	
x3013	0 0 0 0 0 0 0 0 0 0 1 1 0 0 0 0	ASCII x30 ('0')

Filled arrow
= info to be processed.

Unfilled arrow
= control signal.



Data Path Components

- **Global bus**
 - special set of wires that carry a 16-bit signal to many components
 - inputs to the bus are “tri-state devices,” that only place a signal on the bus when they are enabled
 - only one (16-bit) signal should be enabled at any time
 - control unit decides which signal “drives” the bus
 - any number of components can read the bus
 - register only captures bus data if it is write-enabled by the control unit
 - **Memory**
 - Control and data registers for memory and I/O devices
 - memory: MAR, MDR (also control signal for read/write)
-

Data Path Components

- **ALU**
 - Accepts inputs from register file and from sign-extended bits from IR (immediate field).
 - Output goes to bus.
 - used by condition code logic, register file, memory
 - **Register File**
 - Two read addresses (SR1, SR2), one write address (DR)
 - Input from bus
 - result of ALU operation or memory read
 - Two 16-bit outputs
 - used by ALU, PC, memory address
 - data for store instructions passes through ALU
-

Data Path Components

- **PC and PCMUX**

- Three inputs to PC, controlled by PCMUX
 1. PC+1 – FETCH stage
 2. Address adder – BR, JMP
 3. bus – TRAP (discussed later)

MAR and MARMUX

- Two inputs to MAR, controlled by MARMUX
 1. Address adder – LD/ST, LDR/STR
 2. Zero-extended IR[7:0] -- TRAP (discussed later)

Data Path Components

- **Condition Code Logic**
 - Looks at value on bus and generates N, Z, P signals
 - Registers set only when control unit enables them (LD.CC)
 - only certain instructions set the codes (ADD, AND, NOT, LD, LDI, LDR, LEA)
 - **Control Unit – Finite State Machine**
 - On each machine cycle, changes control signals for next phase of instruction processing
 - who drives the bus? (GatePC, GateALU, ...)
 - which registers are write enabled? (LD.IR, LD.REG, ...)
 - which operation should ALU perform? (ALUK)
 - Logic includes decoder for opcode, etc.
-

Final issues

- Come by my office hours (right after class)
- Any questions or concerns?